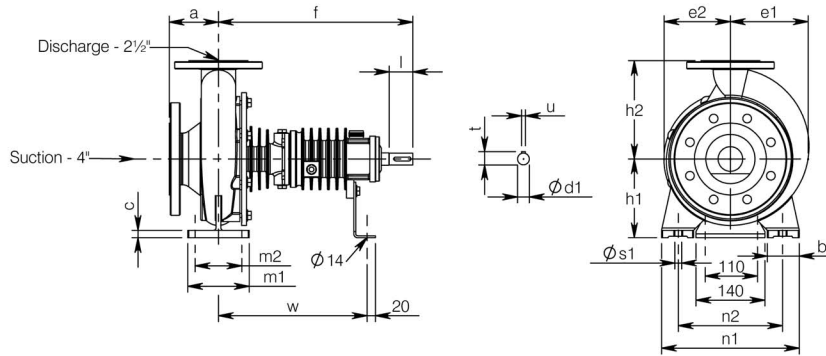


FLANGES ARE DRILLED
TO ANSI B16.5 (CLASS 150)

Bareshaft Construction

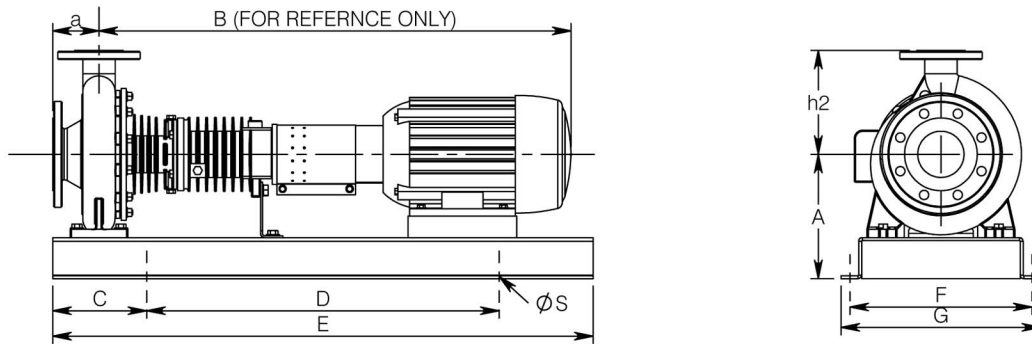
DIMENSIONAL DRAWING
MONOSTAGE CENTRIFUGAL PUMP
TRAVAINI PUMP MODEL

SERIES TCD 65



Model	a	f	h1	h2	b	c	m1	m2	n1	n2	s1	w	d1	l	t	u	e1	e2	Weight (Kg.)
TCD 65-125	100	385	160	180	65	16	125	95	280	212	14	285	24	50	27	8	96	78	54
TCD 65-160		395	200	18		320			250	295		48	160	130	57				
TCD 65-200	125	500	180	225	80	20	160	120	360	280	18	370	32	80	35	10	174	152	62
TCD 65-250		200	250	20		360			280	370		32	80	35	10	195	175	75	

Base-Mounted Construction



Pump Model*	Motor Frame	Motor HP*	A	B	C	D	E	F	G	S	Base Plate	Weight (Kg.)					
TCD 65-125	143T	1	224	712	178	610	965	318	356	16	900	93					
	145T	1.5 - 2		737								97					
	184T	5		807								118					
	213T	7.5		865								145					
	215T	10		903								155					
TCD 65-160	254T	15	249	1000	203	762	1168	394	432		903	216					
	182T	3		900								140					
	184T	5		925								149					
	256T	20	1159	242													
	284TS	25	1162	266													
	286TS	30	1200	291													
	324TS	40	305	1243	940	1346	476	508	C11		400						
TCD 65-200	184T	5	244	924	178	610	965	394	432		907	908	163				
	213T	7.5	370	984	203	762	1168					903	191				
	215T	10		1022				200									
	284TS	25	283	1118	152	889	1194	470	508	295							
	286TS	30	1156	318													
	324TS	40	314	1181	203	940	1346	476	508	C11		408					
	326TS	50	1219	440													
	364TS	60	340	1315						522							
TCD 65-250	184T	5	302	924	152	889	1194	470	508	907	163						
	213T	7.5		984							191						
	215T	10		1022							200						
	254T	15		1080							254						
	364TS	60	338	1338	203	940	1346	476	508		C11	510					
	365TS	75	1363	540													
	405TS	100	368	1465							305	1041	1651	622	652	C13	580

*Additional sizes available, contact Premier Fluid Systems Inc.

Dimensions in mm



Premier Fluid Systems
Canadian Home of Travaini Pumps

4161 Morris Dr. - Unit 5 * Burlington * Ontario * L7L 5L5 * Website: www.pfspumps.com
Tel: 1-800-461-2611 or 905-637-2611 * Fax: 905-333-4722 * email: info@pfspumps.com

DATE : JULY 2012

N°.: 15.46