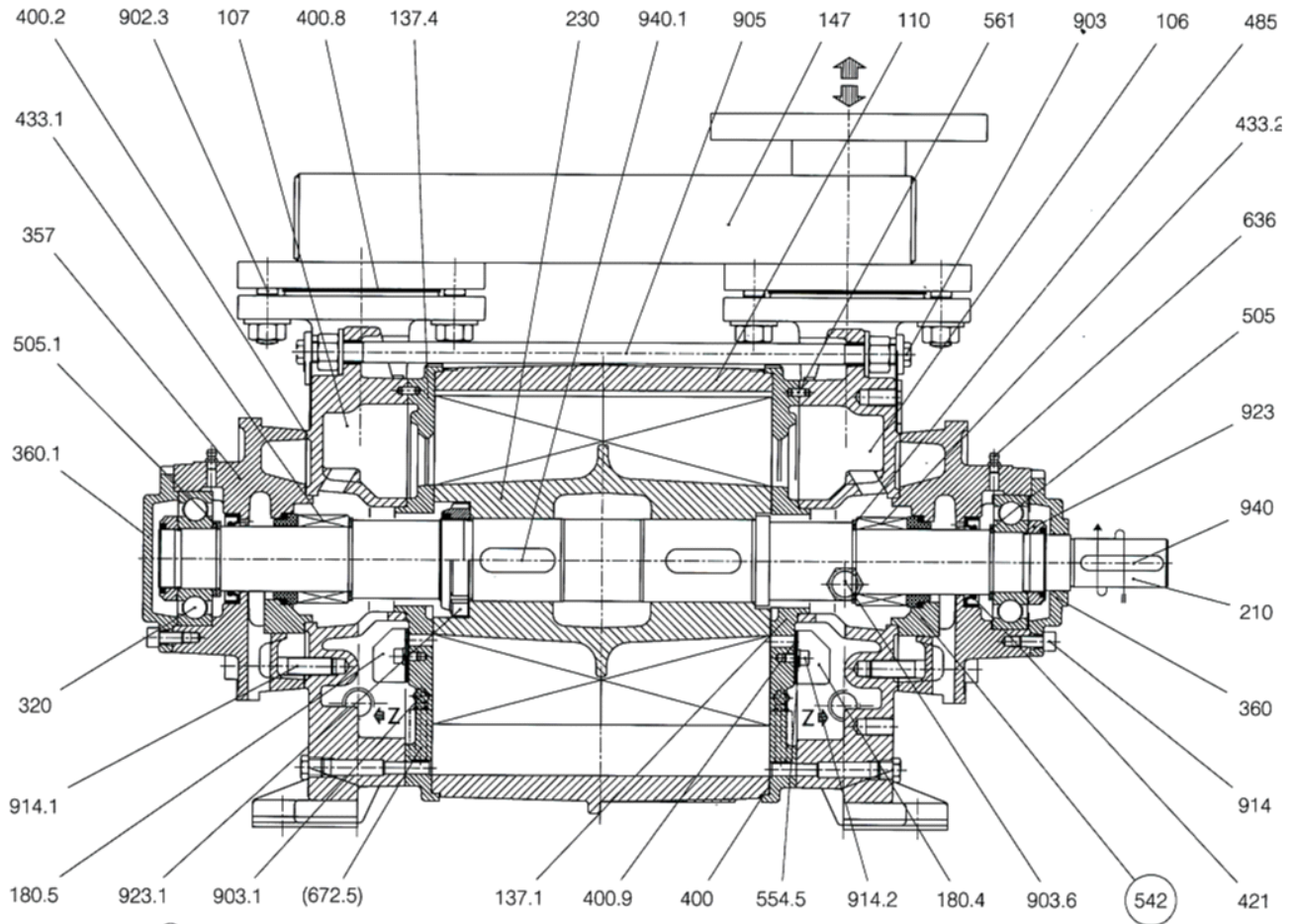


SECTIONAL DRAWING
LIQUID VACUUM PUMPR
TRAVAINI PUMP MODEL
TRVA 65-450/1C



Part Number	Description	Part Number	Description	Part Number	Description
106	Suction casing	➤ 400.9	Flat valve	903	Plug
107	Discharge casing	➤ 421	Radial seal ring	903.1	Plug
110	Impeller casing	➤ 433.1	Mechanical seal c.c.w.	903.6	Plug
137.1	Side element	➤ 433.2	Mechanical seal c.w.	903.7	Plug
137.4	Side element	485	Mech. seal shoulder ring	905	Tie-bolt
147	Manifold	➤ 505	Bearing shoulder ring	914	Screw
180.5	Valve plate	542	Seal bush (A3 only)	914.1	Screw
➤ 210	Shaft	554.5	Washer	920	Nut
➤ 230	Impeller	561	Cylinder pin	922	Shaft nut
➤ 320	Ball bearing	636	Grease nipple	923	Nut
357.1	Bearing/Seal housing	672	Anticavitation	940	Key
360	Bearing cover	902	Stud	940.1	Key
360.1	Bearing cover	902.3	Stud	Z	Liquid supply inlet
➤ 400	Centre Body Gasket				
➤ 400.2	Bearing Hous. Gasket				
➤ 400.8	Manifold Gasket				

➤ = Recommended spare parts



Premier Fluid Systems
Canadian Home of Travaini Pumps

4460 Harvester Road Burlington Ontario L7L 4X2
Tel:1-800-461-2611 or 905-637-2611 Fax:905-333-4722
E-mail:info@pfspumps.com Website:www.pfspumps.com

DATE : MAY 2018

No.: 6.33A