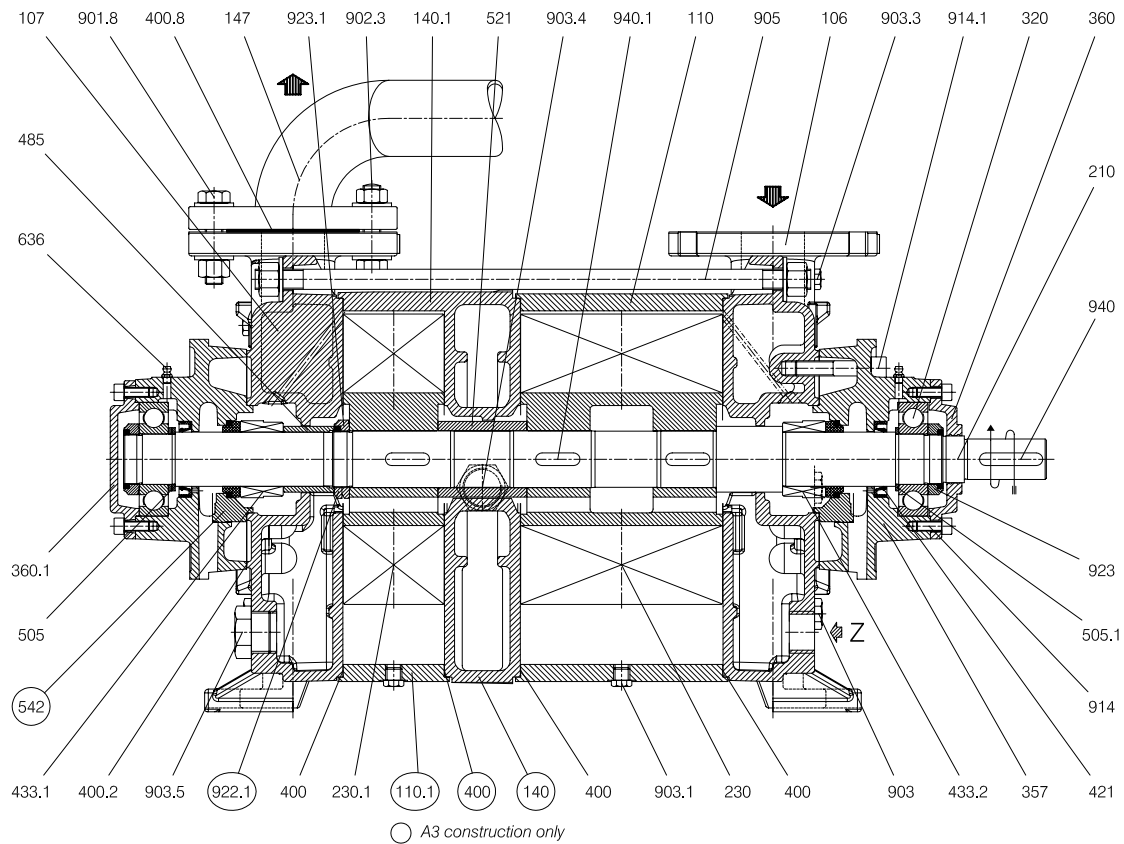


Sectional Drawing with Mechanical Seal



Part Number	Description	Part Number	Description	Part Number	Description
106	Suction casing	➤ 400.8	Gasket	901.1	Screw
107	Discharge casing	➤ 421	Radial seal ring	901.8	Nut
110	Impeller casing	➤ 433.1	Mechanical seal c.c.w.	902.3	Stud
110.1	Impeller casing	➤ 433.2	Mechanical seal c.w.	903	Plug
140	Intermediate element	485	Mech. seal locking ring	903.5	Plug
140.1	Intermediate element	➤ 505	Shoulder ring	903.6	Plug
147	Manifold	521	Spacer sleeve	903.7	Plug
➤ 210	Shaft	542	Seal bush (A3 only)	905	Tie-bolt
➤ 230	Impeller	636	Grease nipple	914	Screw
➤ 230.1	Impeller	672	Anticavitation valve	914.1	Screw
➤ 320	Ball bearing	701	Pipe	922	Nut
357	Bearing/Seal housing	731.4	Fitting	922.1	Nut
357.1	Bearing/Seal housing	731.5	Fitting	923	Nut
360	Bearing cover	731.6	Fitting	940	Key
360.1	Bearing cover	734	Nipple	940.1	Key
➤ 400	Gasket	735	Nipple	Z	Liquid supply inlet
➤ 400.2	Gasket				

➤ = Recommended spare parts



Premier Fluid Systems
Canadian Home of Travaini Pumps

4161 Morris Dr. - Unit 5 * Burlington * Ontario * L7L 5L5 * Website: www.pfspumps.com
Tel: 1-800-461-2611 or 905-637-2611 * Fax: 905-333-4722 * email: info@pfspumps.com

DATE : NOVEMBER 2009

N°.: 7.27

7.27