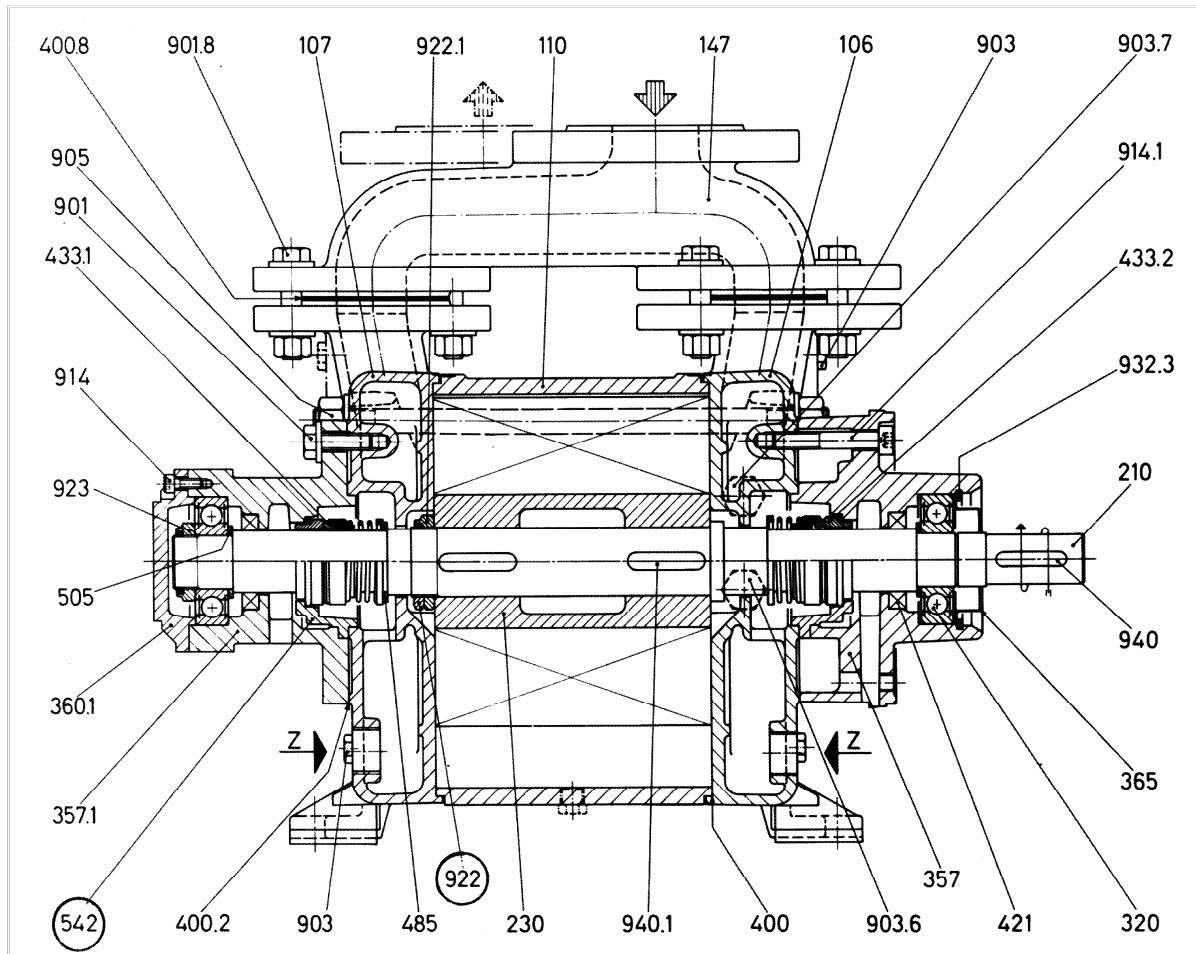


Sectional Drawing with Mechanical Seal



Part Number	Description	Part Number	Description	Part Number	Description
106	Suction casing	➤ 400.2	Gasket	905	Tie-bolt
107	Discharge casing	➤ 400.8	Gasket	914.1	Screw
110	Impeller casing	➤ 421	Radial seal ring	922	Nut
147	Manifold	➤ 433.1	Mechanical seal c.c.w.	923	Nut
➤ 210	Shaft	➤ 433.2	Mechanical seal c.w.	932.3	Circlip
➤ 230	Impeller	➤ 505	Shoulder ring	935	Elastic ring
➤ 320	Ball bearing	542	Seal bush (A3 only)	940	Key
357.1	Bearing/Seal housing	901.8	Nut	940.1	Key
365	Bearing cover	903	Plug	Z	Liquid supply inlet
365.1	Bearing cover	903.6	Plug		
➤ 400	Gasket	903.7	Plug		

➤ = Recommended spare parts



Premier Fluid Systems
Canadian Home of Travaini Pumps

4161 Morris Dr. - Unit 5 * Burlington * Ontario * L7L 5L5 * Website: www.pfspumps.com
Tel: 1-800-461-2611 or 905-637-2611 * Fax: 905-333-4722 * email: info@pfspumps.com

DATE : MARCH 2002

N°.: 5.13