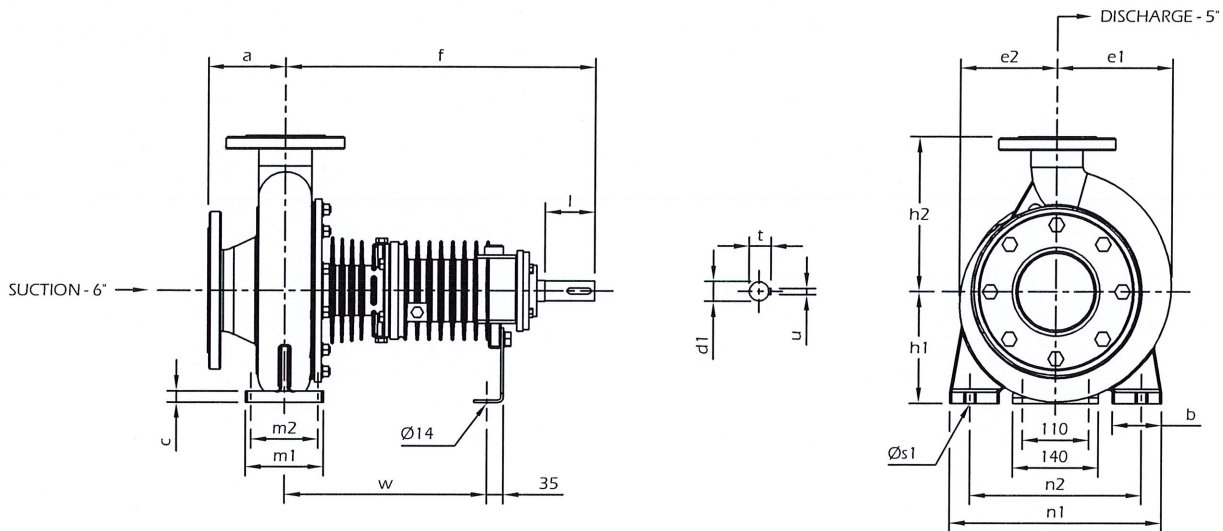


DIMENSIONAL DRAWING
 MONOSTAGE CENTRIFUGAL PUMP
 TRAVAINI PUMP MODEL

TCD 125

FLANGES ARE DRILLED
 TO ANSI B16.5 (CLASS 150)

BARESHAF CONSTRUCTION



MODEL	f	h1	h2	a	b	c	m1	m2	n1	n2	s1	w	d1	l	t	u	e1	e2	WEIGHT (Kg)
TCD 125-250	530	250	355	140	80	20	160	120	400	315	18	370	42	82	45	12	245	200	122
TCD 125-315	530	280		100	22	200	160	500	400	20	270						230	158	



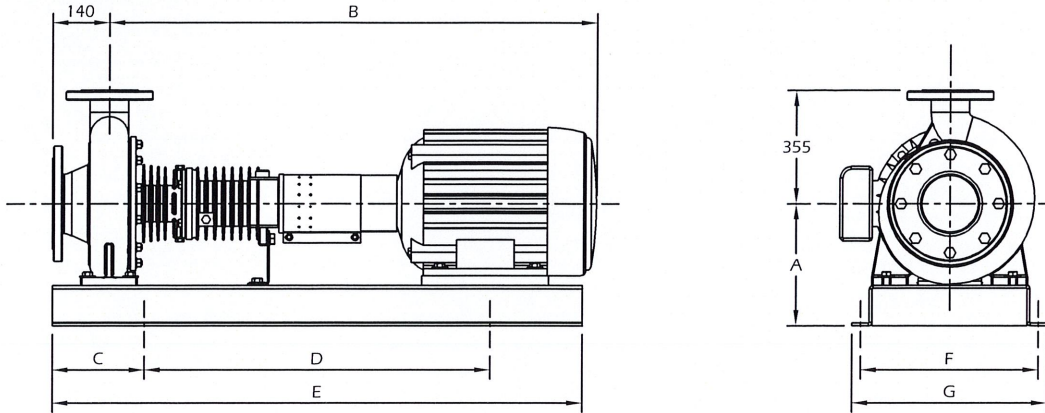
Premier Fluid Systems
 Canadian Home of Travaini Pumps

4161 Morris Dr. Unit 5 • Burlington • Ontario • L7L 5L5 • Website: www.pfspumps.com
 Tel: 1-800-461-2611 or 905-637-2611 • Fax: 905-333-4722 • e-mail: info@pfspumps.com

DATE : JULY 2020

No.: 15.57.41

BASE-MOUNTED CONSTRUCTION



MODEL	MOTOR	HP	A	B	C	D	E	F	G	BASE	*WEIGHT (Kg)
TCD 125-250	254T	15	361	969	203	940	1346	476	508	C11**	341
	256T	20		1013							361
	284T	25		1038							384
	286T	30		1076							407
	324T	40		1291							449
	326T	50		1323							476

MODEL	MOTOR	HP	A	B	C	D	E	F	G	BASE	*WEIGHT (Kg)
TCD 125-315	324T	40	394	1230	304	1041	1651	622	652	C13**	529
	326T	50		1268							556
	364T	60		1397							615
	365T	75		1405							656

* Weights - Pump, Motor & Base.

** With drip tray under pump.

Dimensions in mm



Premier Fluid Systems
 Canadian Home of Travaini Pumps

4161 Morris Dr. Unit 5 • Burlington • Ontario • L7L 5L5 • Website: www.pfspumps.com
 Tel: 1-800-461-2611 or 905-637-2611 • Fax: 905-333-4722 • e-mail: info@pfspumps.com

DATE: JULY 2020

No.: 15.57.42