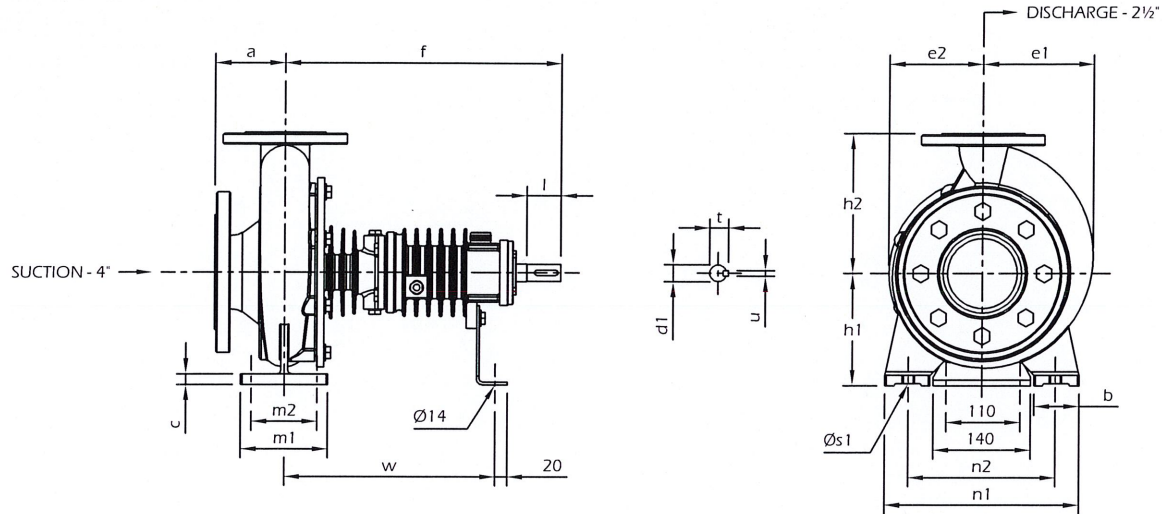


**DIMENSIONAL DRAWING  
MONOSTAGE CENTRIFUGAL PUMP  
TRAVAINI PUMP MODEL  
SERIES TCD 65**

FLANGES ARE DRILLED  
TO ANSI B16.5 (CLASS 150)

**BARESHAF CONSTRUCTION**



MODEL	a	f	h1	h2	b	c	m1	m2	n1	n2	s1	w	d1	l	t	u	e1	e2	WEIGHT (Kg)
TCD 65-125	100	385	160	180	65	16	125	95	280	212	14	285	24	50	27	8	96	78	54
TCD 65-160		395	200	18		320			250	48				10	160		130	57	
TCD 65-200	125	500	180	225	80	20	160	120	360	280	18	370	32	80	35	10	174	152	62
TCD 65-250			200	250					400	315				12	195		175	75	
TCD 65-315		530	225	280					400	315				12	226		209	128	

Dimensions in mm



**Premier Fluid Systems**  
Canadian Home of Travaini Pumps

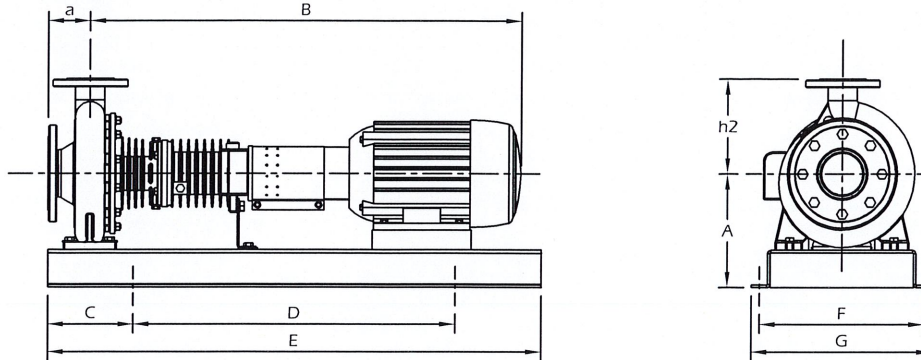
4161 Morris Dr. Unit 5 • Burlington • Ontario • L7L 5L5 • Website: [www.pfspumps.com](http://www.pfspumps.com)  
Tel: 1-800-461-2611 or 905-637-2611 • Fax: 905-333-4722 • e-mail: [info@pfspumps.com](mailto:info@pfspumps.com)

DATE : JULY 2020

No.: 15.46.10

DIMENSIONAL DRAWING  
 MONOSTAGE CENTRIFUGAL PUMP  
 TRAVAINI PUMP MODEL  
**SERIES TCD 65**

**BASE-MOUNTED CONSTRUCTION**



MODEL	MOTOR	HP	A	B	C	D	E	F	G	BASE	*WEIGHT (Kg)						
TCD 65-125	143T	1	224	712	178	610	965	318	356	900	104						
	145T	1.5-2		737							110						
	184T	5		807							128						
	213T	7.5		865							151						
	215T	10		903							159						
	254T	15	249	1000	203	762	1168	394	432	903	248						
TCD 65-160	182T	3	249	900	203	762	1168	394	432	903	147						
	184T	5		925							152						
	256T	20		1159							252						
	284TS	25	1162	275													
	286TS	30	1200	320													
	324TS	40	305	1243							203	940	1346	476	508	**C11	396
TCD 65-200	184T	5	244	924	178	610	965	394	432	908	148						
	213T	7½	370	984	203	762	1168			903	180						
	215T	10		1022				188									
	284TS	25	330	1118	203	940	1346	476	508	**C11	306						
	286TS	30		1156							351						
	324TS	40		1181							401						
	326TS	50		1219							414						
	364TS	60	1315	439													
TCD 65-250	184T	5	302	924							152	889	1194	470	508	907	185
	213T	7½		984													208
	215T	10		1022													216
	254T	15		1080	282												
	364TS	60	338	1338	203	940	1346	476	508	**C11							452
	365TS	75	338	1363	541												
TCD 65-315	405TS	100	368	1465	305	1041	1651	622	652	**C13	686						
	215T	10	327	1022	152	889	1194	470	508	907	269						
	254T	15		1080							335						
	256T	20		1022							356						
284T	25	1080		379													

\* Weights - Pump, Motor & Base.

\*\* With drip tray under pump.

Dimensions in mm



**Premier Fluid Systems**  
 Canadian Home of Travaini Pumps

4161 Morris Dr. Unit 5 • Burlington • Ontario • L7L 5L5 • Website: [www.pfspumps.com](http://www.pfspumps.com)  
 Tel: 1-800-461-2611 or 905-637-2611 • Fax: 905-333-4722 • e-mail: [info@pfspumps.com](mailto:info@pfspumps.com)

DATE : JULY 2020

No.: 15.46.11