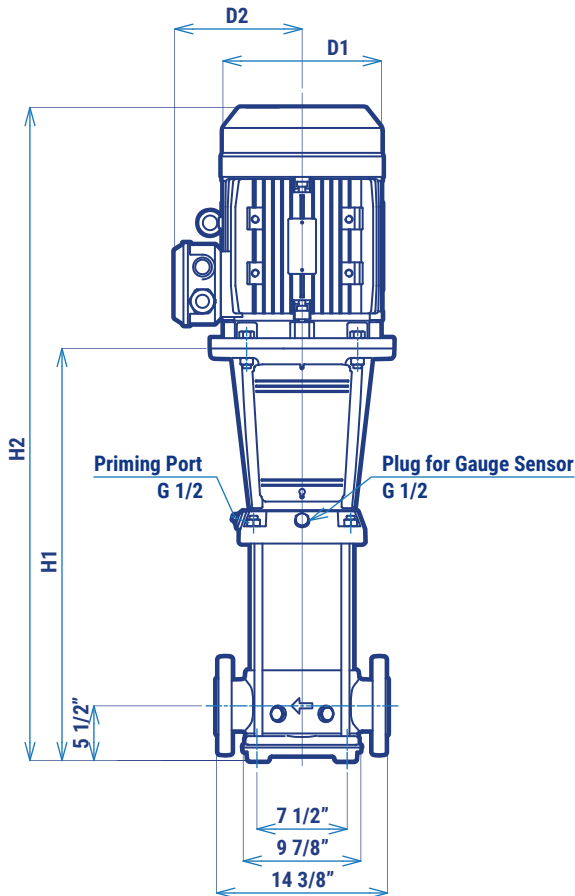


H2, D1, D2 and Pump Weight are for reference only. Pump Weight is based on Pump End with Totally Enclosed Fan-Cooled Motor.

**DIMENSIONS & WEIGHTS**

MODEL	HP	NEMA FRAME SIZE	H1 [in]	H2 [in]	D1 [in]	D2 [in]	PUMP END [lbs]	PUMP [lbs]
NSVM(N) 801/1-65.5	7.5	213TC	22.20	36.85	10.67	8.58	125	264
NSVM(N) 801-67.5	7.5	213TC	22.20	36.85	10.67	8.58	125	264
NSVM(N) 802/2-611	15	254TC	29.49	48.70	12.95	10.39	154	413
NSVM(N) 802/1-611	15	254TC	29.49	48.70	12.95	10.39	154	413
NSVM(N) 802-615	15	254TC	29.49	48.70	12.95	10.39	154	413
NSVM(N) 803/2-618	20	256TC	32.64	53.58	12.95	10.39	162	444
NSVM(N) 803/1-618	25	284TSC	32.64	54.45	14.17	10.98	164	526
NSVM(N) 803-618	25	284TSC	32.64	54.45	14.17	10.98	164	526
NSVM(N) 804/2-622	30	286TSC	35.79	59.09	14.17	10.98	172	564
NSVM(N) 804/1-630	30	286TSC	35.79	59.09	14.17	10.98	172	564
NSVM(N) 804-630	30	286TSC	35.79	59.09	14.17	10.98	172	564
NSVM(N) 805/2-630	40	324TSC	38.94	63.31	15.83	12.48	180	727
NSVM(N) 805/1-630	40	324TSC	38.94	63.31	15.83	12.48	180	727
NSVM(N) 805-630	40	324TSC	38.94	63.31	15.83	12.48	180	727
NSVM(N) 806/2-637	50	326TSC	42.09	67.95	15.83	12.48	206	790
NSVM(N) 806-637	50	326TSC	42.09	67.95	15.83	12.48	206	790
NSVM(N) 807/2-645	50	326TSC	45.24	71.10	15.83	12.48	214	798
NSVM(N) 807-645	60	364/5TSC	45.24	73.76	17.91	16.38	214	1039
NSVM(N) 808/1-645	60	364/5TSC	48.39	76.91	17.91	16.38	221	1046

**ASSEMBLY DRAWINGS**



**FLANGE (ANSI)**

