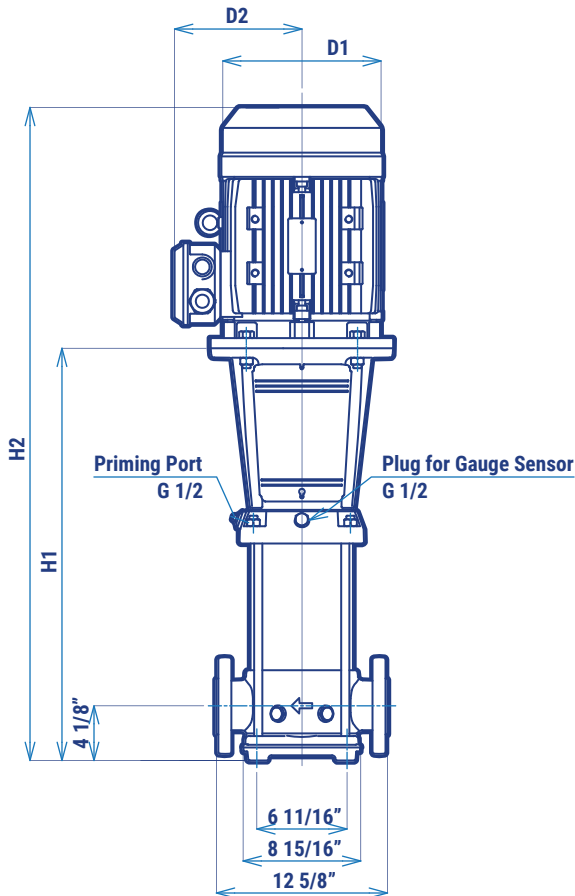


H2, D1, D2 and Pump Weight are for reference only. Pump Weight is based on Pump End with Totally Enclosed Fan Cooled Motor.

**DIMENSIONS & WEIGHTS**

MODEL	HP	NEMA FRAME SIZE	H1 [in]	H2 [in]	D1 [in]	D2 [in]	PUMP END [lbs]	PUMP [lbs]
NSVM(N) 651/1-62.2	3	182TC	20.02	32.00	8.74	7.56	110	198
NSVM(N) 651-63.0	5	184TC	20.02	33.00	8.74	7.56	110	198
NSVM(N) 652/2-65.5	7.5	213TC	22.78	37.42	10.67	8.58	117	256
NSVM(N) 652/1-65.5	7.5	213TC	22.78	37.42	10.67	8.58	117	256
NSVM(N) 652-67.5	7.5	213TC	22.78	37.42	10.67	8.58	117	256
NSVM(N) 653/2-611	10	215TC	25.53	41.67	10.67	8.58	123	286
NSVM(N) 653-611	15	254TC	29.67	48.88	12.95	10.39	144	403
NSVM(N) 654/2-611	15	254TC	32.42	51.63	12.95	10.39	151	310
NSVM(N) 654-615	15	254TC	32.42	51.63	12.95	10.39	151	410
NSVM(N) 655/2-615	20	256TC	35.18	56.12	12.95	10.39	158	440
NSVM(N) 655-618	20	256TC	35.18	56.12	12.95	10.39	158	440
NSVM(N) 656/2-618	25	284TSC	37.93	59.74	14.17	10.98	166	528
NSVM(N) 656-618	25	284TSC	37.93	59.74	14.17	10.98	167	529
NSVM(N) 657/2-622	30	286TSC	40.69	64.00	14.17	10.98	173	565
NSVM(N) 657-622	30	286TSC	40.69	64.00	14.17	10.98	173	565
NSVM(N) 658/2-630	30	286TSC	43.44	66.75	14.17	10.98	180	572
NSVM(N) 658-630	40	324TSC	43.44	67.81	15.83	12.48	180	727
NSVM(N) 659/2-630	40	324TSC	46.20	70.57	15.83	12.48	186	733
NSVM(N) 659-630	40	324TSC	46.20	70.57	15.83	12.48	186	733
NSVM(N) 6510/2-630	40	324TSC	48.96	73.33	15.83	12.48	192	739
NSVM(N) 6510-630	40	324TSC	48.96	73.33	15.83	12.48	192	739
NSVM(N) 6511/2-630	40	324TSC	51.71	76.08	15.83	12.48	198	745

**ASSEMBLY DRAWINGS**



**FLANGE (ANSI)**

