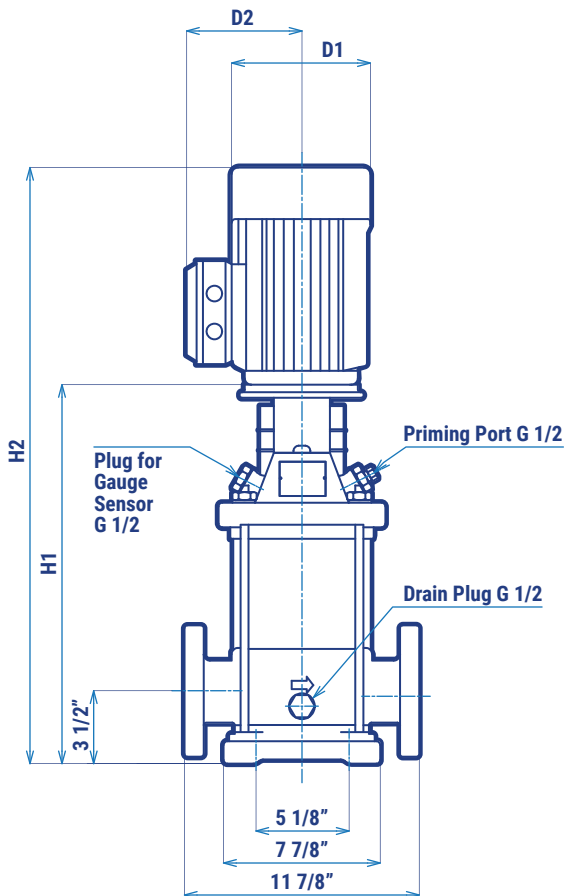


H2, D1, D2 and Pump Weight are for reference only. Pump Weight is based on Pump End with Totally Enclosed Fan Cooled Motor.

DIMENSIONS & WEIGHTS

MODEL	HP	NEMA FRAME SIZE	H1 [in]	H2 [in]	D1 [in]	D2 [in]	PUMP END [lbs]	PUMP [lbs]
NSVM(N) 50B1-62.2	3	182TC	17.19	29.18	8.74	7.56	83	171
NSVM(N) 50B2-64.0	5	184TC	17.20	30.19	8.74	7.56	84	172
NSVM(N) 50B3-65.5	7.5	213TC	19.52	34.17	10.67	8.58	94	233
NSVM(N) 50B4-67.5	10	215TC	21.30	37.44	10.67	8.58	97	260
NSVM(N) 50B5-611	15	254TC	25.69	44.90	12.95	10.39	110	369
NSVM(N) 50B6-611	15	254TC	27.46	46.67	12.95	10.39	113	372
NSVM(N) 50B7-615	20	256TC	29.24	50.19	12.95	10.39	116	398
NSVM(N) 50B8-615	20	256TC	31.01	51.96	12.95	10.39	119	401
NSVM(N) 50B10-618	25	284TSC	33.80	55.61	14.17	10.98	120	482

ASSEMBLY DRAWINGS



FLANGE (ANSI)

