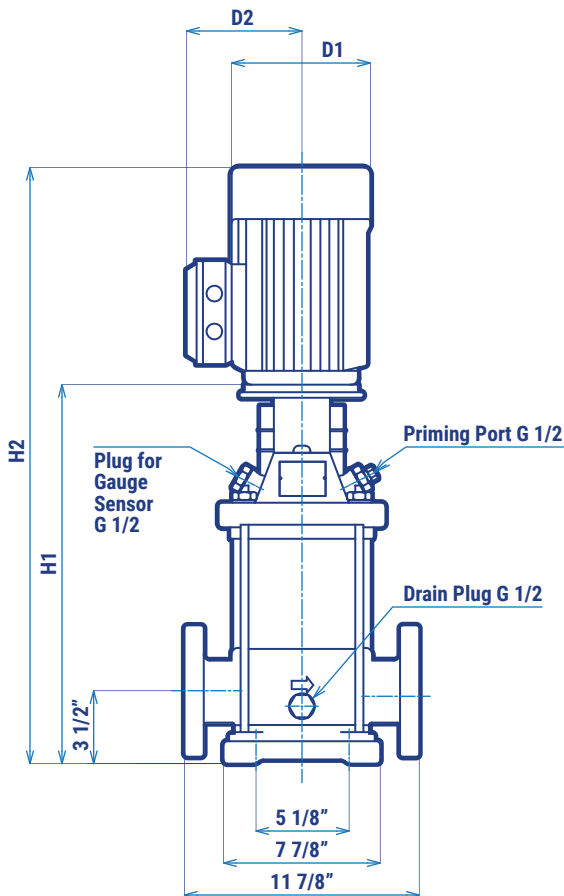


H2, D1, D2 and Pump Weight are for reference only. Pump Weight is based on Pump End with Totally Enclosed Fan Cooled Motor.

DIMENSIONS & WEIGHTS

MODEL	HP	NEMA FRAME SIZE	H1 [in]	H2 [in]	D1 [in]	D2 [in]	PUMP END [lbs]	PUMP [lbs]
NSVM(N) 501-61.5	2	56C	16.10	26.99	7.64	5.87	61	92
NSVM(N) 502-63.0	5	184TC	17.13	30.12	8.74	7.56	84	172
NSVM(N) 503-64.0	5	184TC	18.30	31.29	8.74	7.56	87	175
NSVM(N) 504-65.5	7.5	213TC	21.22	35.87	10.67	8.58	97	236
NSVM(N) 505-67.5	10	215TC	22.99	39.13	10.67	8.58	100	263
NSVM(N) 506-611	15	254TC	24.07	43.28	12.95	10.39	103	362
NSVM(N) 507-611	15	254TC	29.16	48.37	12.95	10.39	116	375
NSVM(N) 508-611	15	254TC	30.93	50.14	12.95	10.39	119	378
NSVM(N) 509-615	20	256TC	32.70	53.65	12.95	10.39	123	405
NSVM(N) 5010-615	20	256TC	34.47	55.42	12.95	10.39	126	408
NSVM(N) 5012-618	25	284TSC	37.26	59.07	14.17	10.98	126	488

ASSEMBLY DRAWINGS



FLANGE (ANSI)

