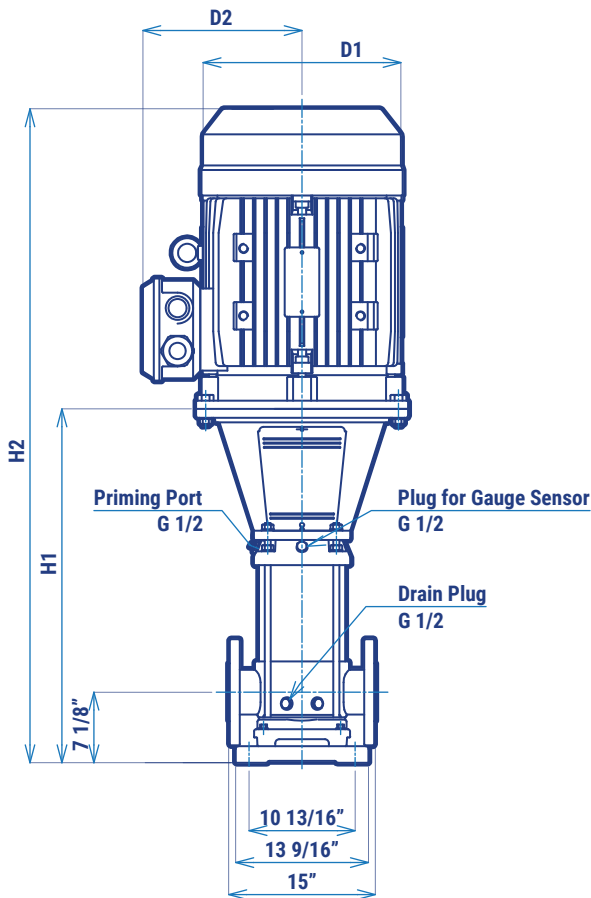


H2, D1, D2 and Pump Weight are for reference only. Pump Weight is based on Pump End with Totally Enclosed Fan Cooled Motor.

**DIMENSIONS & WEIGHTS**

MODEL	HP	NEMA FRAME SIZE	H1 [in]	H2 [in]	D1 [in]	D2 [in]	PUMP END [lbs]	PUMP [lbs]
NSVM(N) 1251/1-615	20	256TC	32.95	53.90	12.95	10.39	204	486
NSVM(N) 1251-618	25	284TSC	32.95	54.76	14.17	10.98	207	569
NSVM(N) 1252/2-630	40	324TSC	39.07	63.44	15.83	12.48	237	784
NSVM(N) 1252/1-630	40	324TSC	39.07	63.44	15.83	12.48	237	784
NSVM(N) 1252-637	50	326TSC	39.07	64.94	15.83	12.48	255	839
NSVM(N) 1253/2-645	60	364/5TSC	45.20	73.72	17.91	16.38	276	1101
NSVM(N) 1253/1-645	60	364/5TSC	45.20	73.72	17.91	16.38	276	1101
NSVM(N) 1253-655	75	364/5TSC	45.67	74.20	17.91	16.38	331	1178
NSVM(N) 1254/2-655	75	364/5TSC	51.79	80.32	17.91	16.38	353	1200
NSVM(N) 1254/1-675	100	404/5TSC	51.79	84.27	19.13	16.38	353	1398
NSVM(N) 1254-675	100	404/5TSC	51.79	84.27	19.13	16.38	353	1398
NSVM(N) 1255/2-675	100	404/5TSC	57.91	90.40	19.13	16.38	374	1419

**ASSEMBLY DRAWINGS**



**FLANGE (ANSI)**

