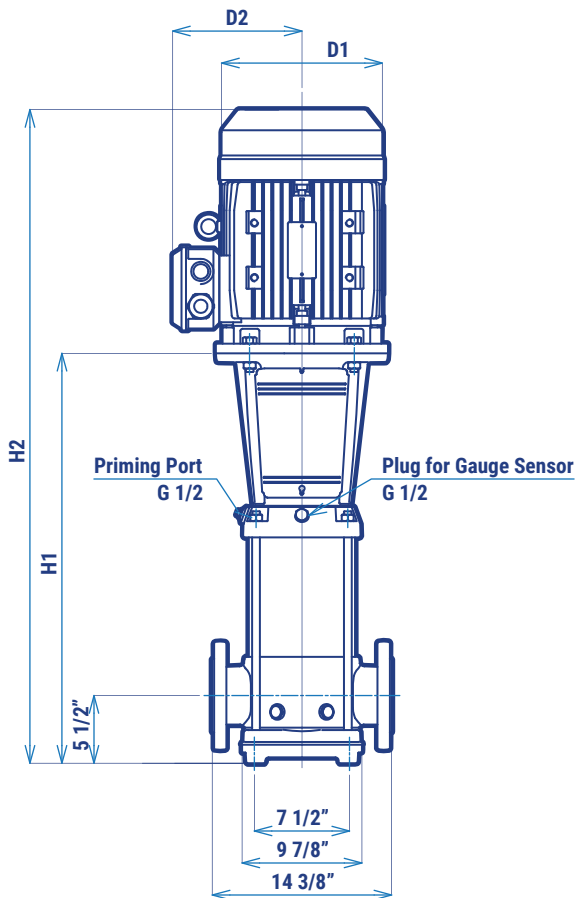


H2, D1, D2 and Pump Weight are for reference only. Pump Weight is based on Pump End with Totally Enclosed Fan Cooled Motor.

DIMENSIONS & WEIGHTS

MODEL	HP	NEMA FRAME SIZE	H1 [in]	H2 [in]	D1 [in]	D2 [in]	PUMP END [lbs]	PUMP [lbs]
NSVM(N) 1001/1-67.5	7.5	213TC	22.36	37.01	10.67	8.58	115	254
NSVM(N) 1001-611	15	254TC	26.50	45.71	12.95	10.39	136	395
NSVM(N) 1002/2-615	15	254TC	29.74	48.96	12.95	10.39	145	404
NSVM(N) 1002/1-618	20	256TC	29.74	50.69	12.95	10.39	145	427
NSVM(N) 1002-622	25	284TSC	29.74	51.56	14.17	10.98	147	509
NSVM(N) 1003/2-622	30	286TSC	32.99	56.30	14.17	10.98	156	548
NSVM(N) 1003/1-630	40	324TSC	32.99	57.36	15.83	12.48	156	703
NSVM(N) 1003-630	40	324TSC	32.99	57.36	15.83	12.48	156	703
NSVM(N) 1004/2-637	40	324TSC	36.24	60.61	15.83	12.48	164	711
NSVM(N) 1004/1-637	50	326TSC	36.24	62.11	15.83	12.48	182	766
NSVM(N) 1004-645	50	326TSC	36.24	62.11	15.83	12.48	182	766
NSVM(N) 1005/2-645	60	364/5TSC	39.49	68.01	17.91	16.38	182	1007

ASSEMBLY DRAWINGS



FLANGE (ANSI)

