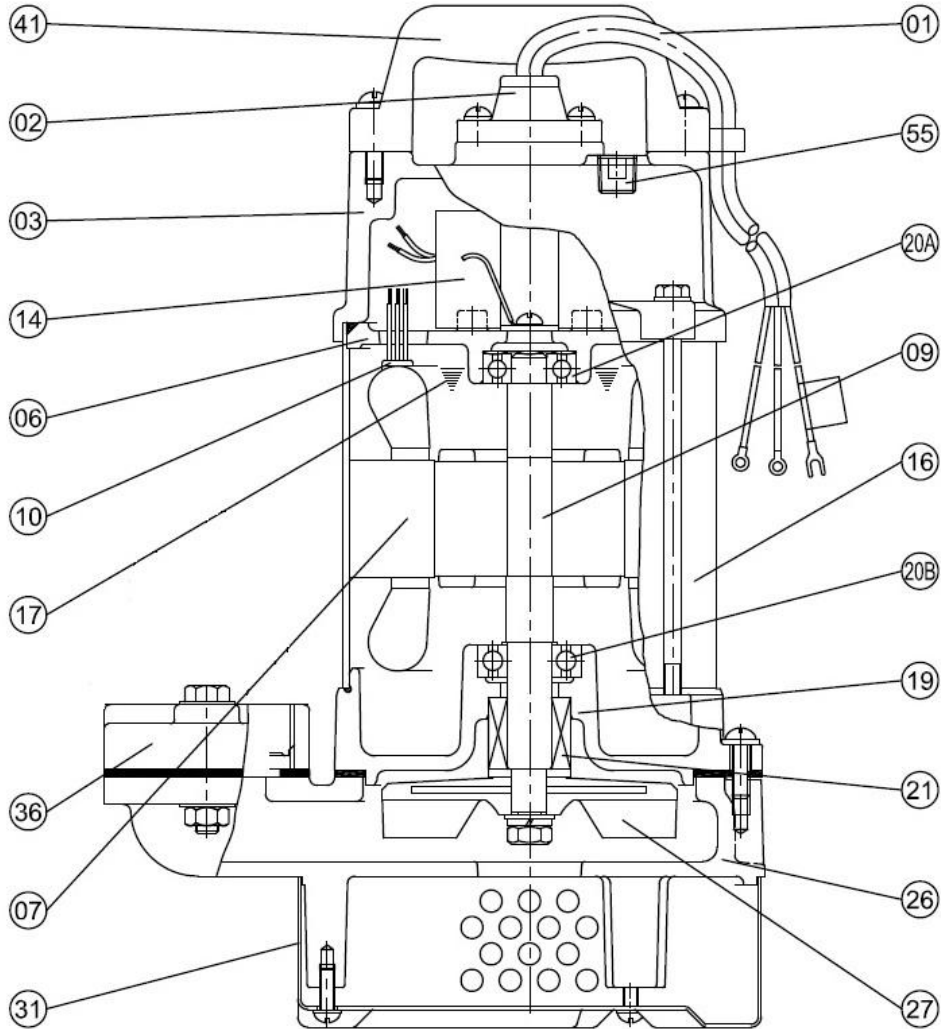


MODEL: 50APL-6.4S



No.	Part name	Material	QTY	Remark
01	Cable	VCT	1	
02	Cable base	PC+PBT	1	
03	Upper cover	FC-200	1	
06	Bracket	FC-200	1	
07	Stator		1	
09	Shaft(with Rotor)	SUS410	1	
10	Auto-cut		1	
14	Capacitor		1	
16	Motor frame	SUS304	1	
17	Lubricant	turbine oil #32	1	
19	Bearing bracket	FC-200	1	
20A	Upper bearing		1	

No.	Part name	Material	QTY	Remark
20B	Lower bearing		1	
21	M. seal	CA VS CE CA VS CE	1	
26	Casing	FC-200	1	
27	Impeller	PPO+G20	1	
31	Strainer	SUS304	1	
36	Flange	FC-200	1	
41	Handle	ABS	1	
47	Packing (1 set)		1	
55	Oil plug	SUS304	1	