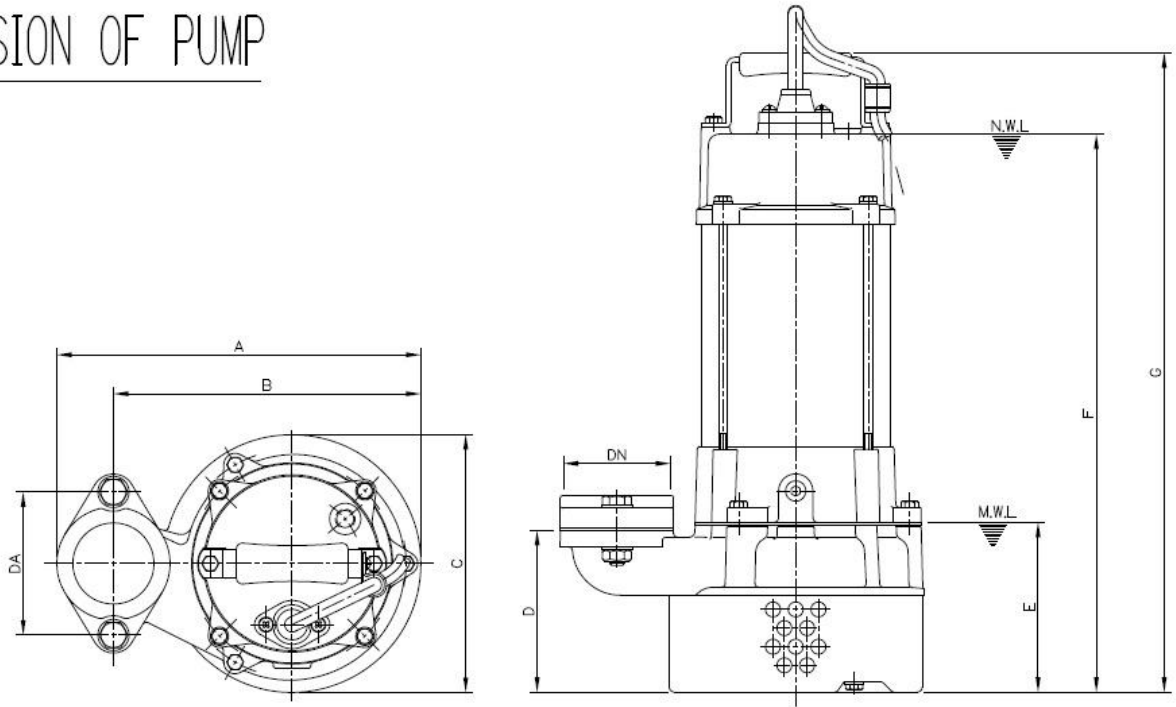


MODEL:50APL-6.75S

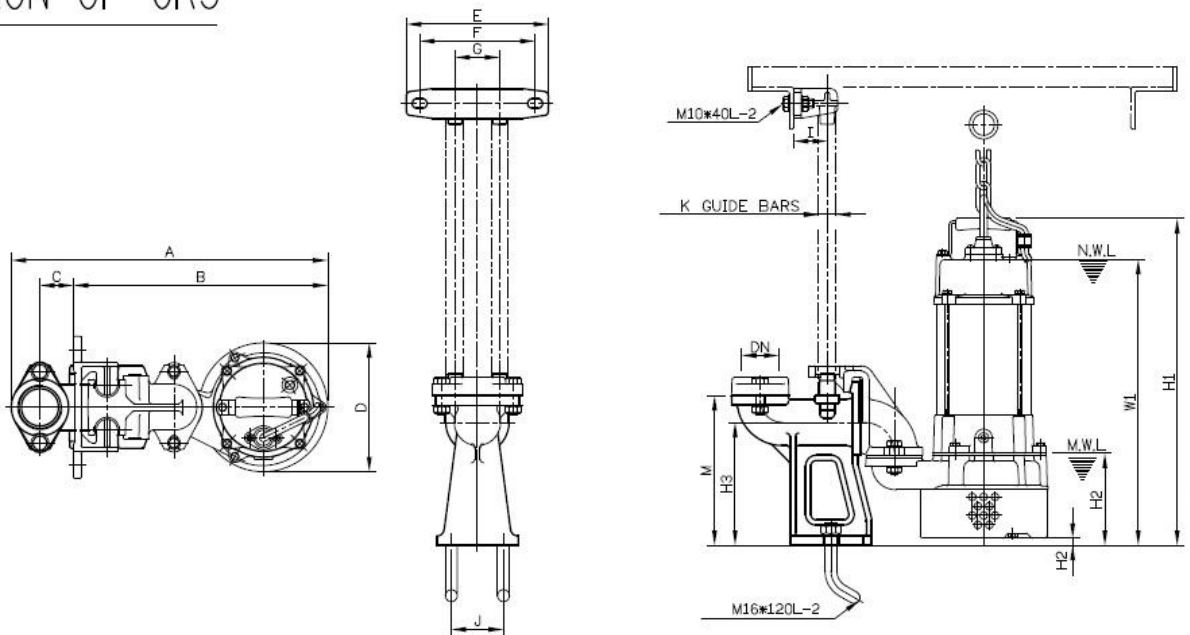
DIMENSION OF PUMP



Model	DN	DA	A	B	C	D	E	F	G
50APL-6.75S	50	84	245	207	173	109	100	375	430

N.W.L: Normal water level
M.W.L: Minimum water level

DIMENSION OF GRS



Model	DN	A	B	C	D	E	F	G	I	J	K	M	W1	W2	H1	H2	H3
50APL-6.75S	50	425	342	45	173	190	155	60	50	70	3/4"	201	385	110	439	9.5	165