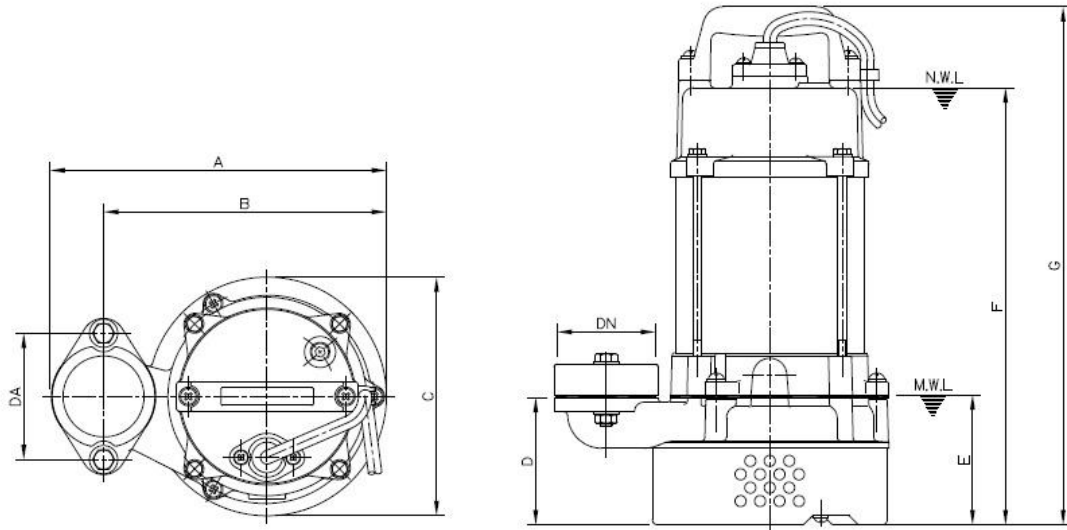


MODEL: 50APL-6.4S

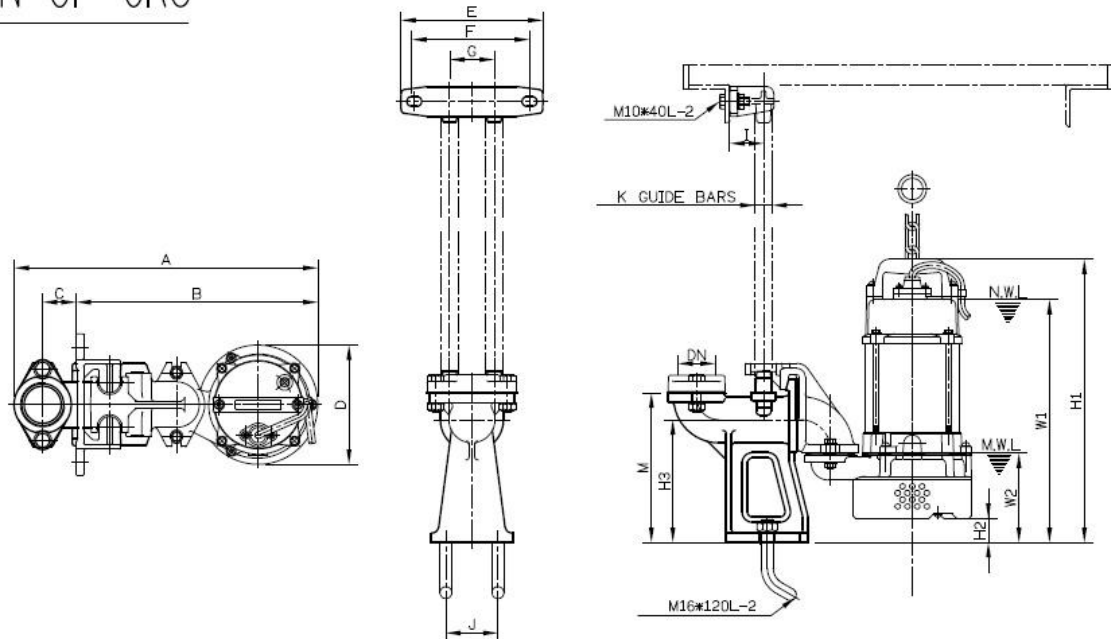
DIMENSION OF PUMP



Model	DN	DA	A	B	C	D	E	F	G
50APL-6.4S	50	191	227	191	161	86	88	294	349

N.W.L: Normal water level
M.W.L: Minimum water level

DIMENSION OF GRS



Model	DN	A	B	C	D	E	F	G	I	J	K	M	W1	W2	H1	H2	H3
50APL-6.4S	50	409	325	45	161	190	155	60	50	70	3/4"	201	327	121	382	33	165