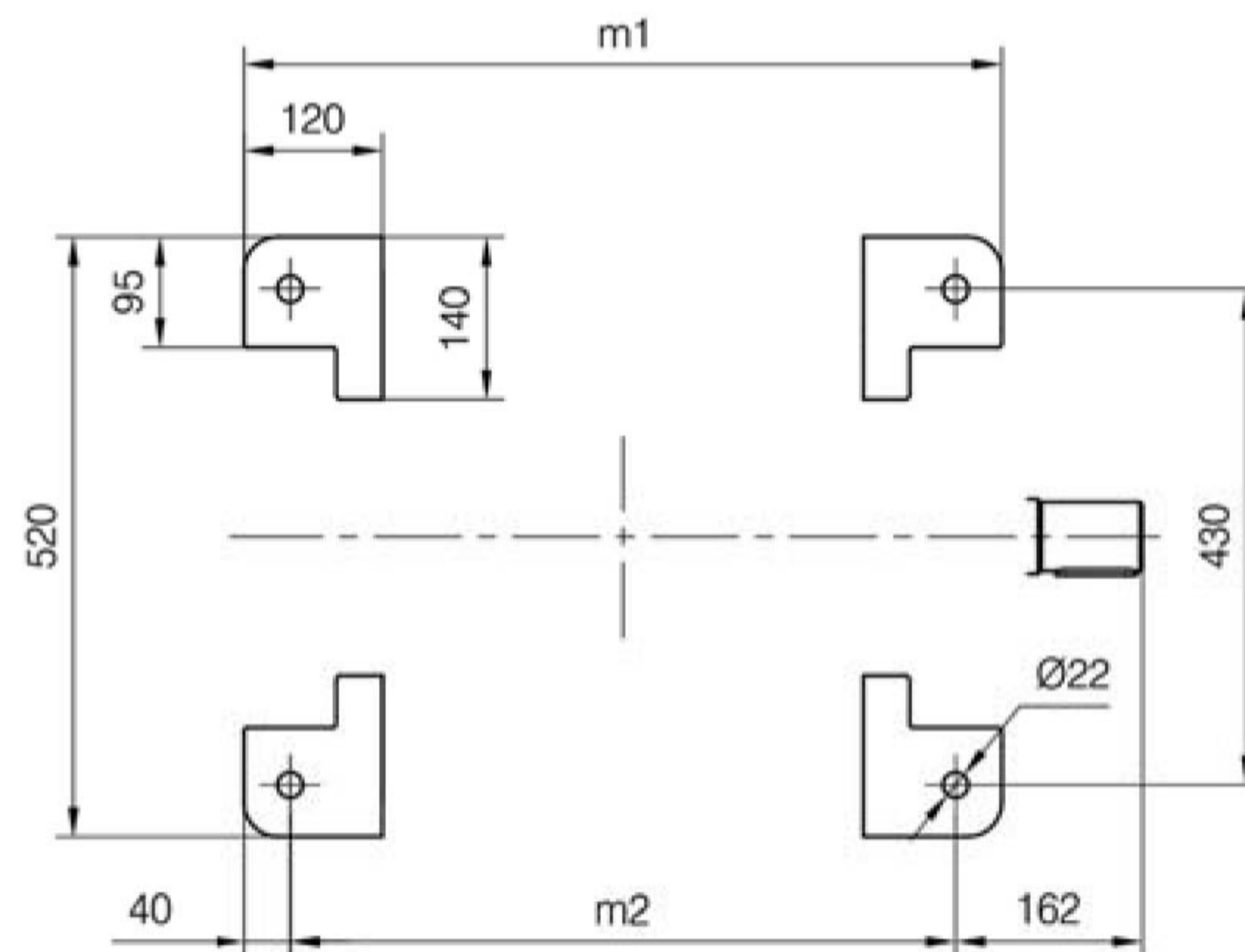
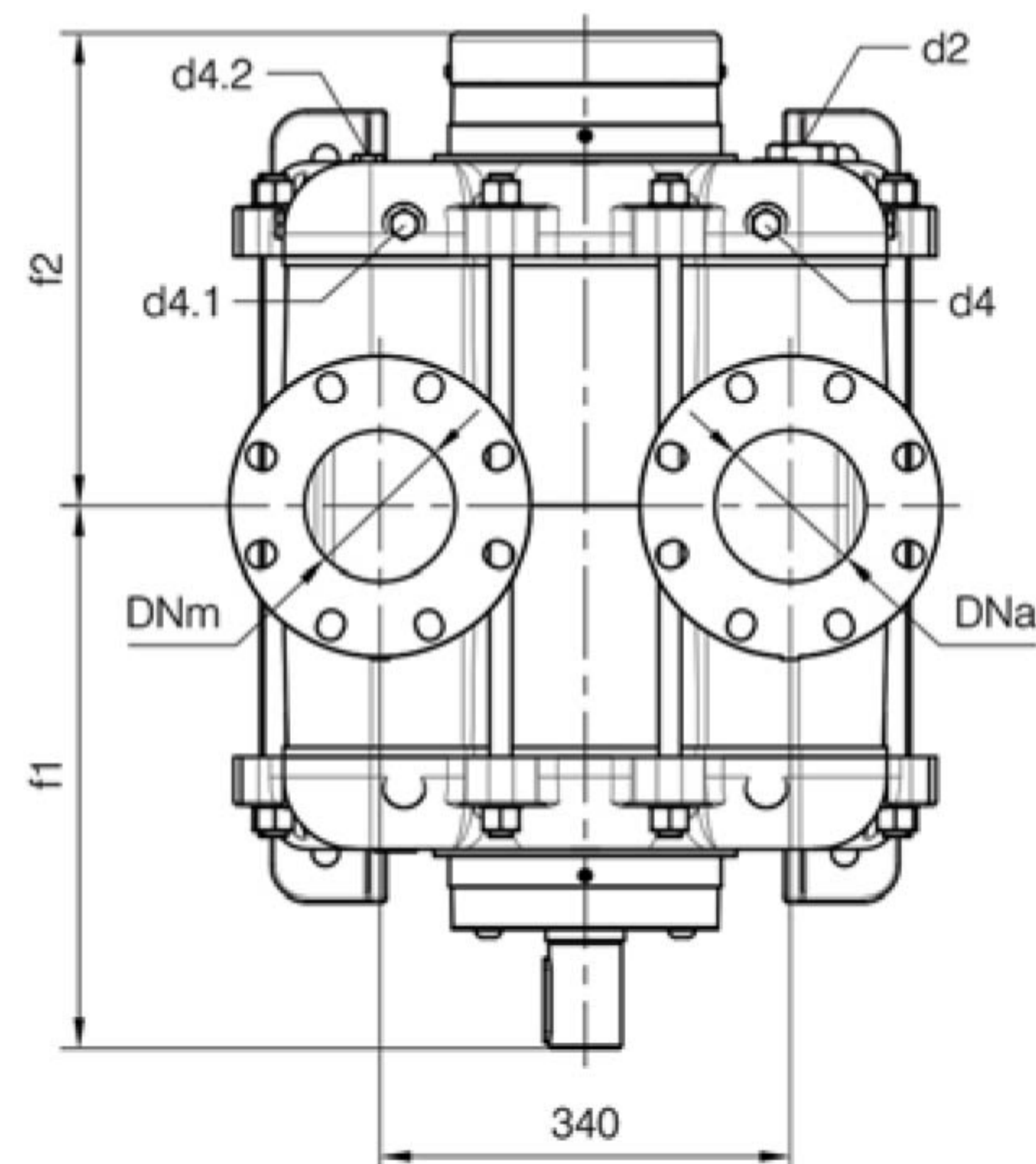
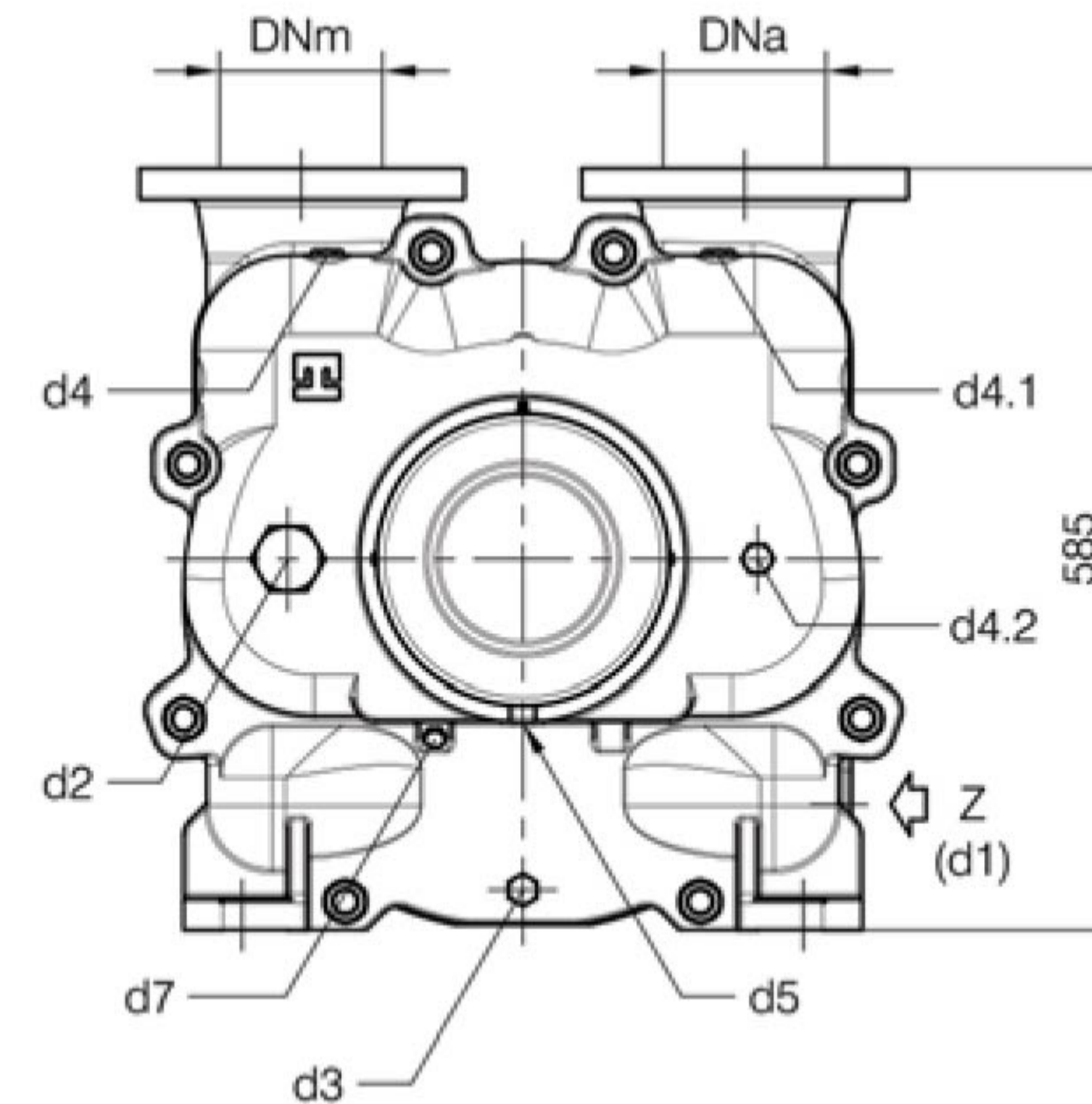
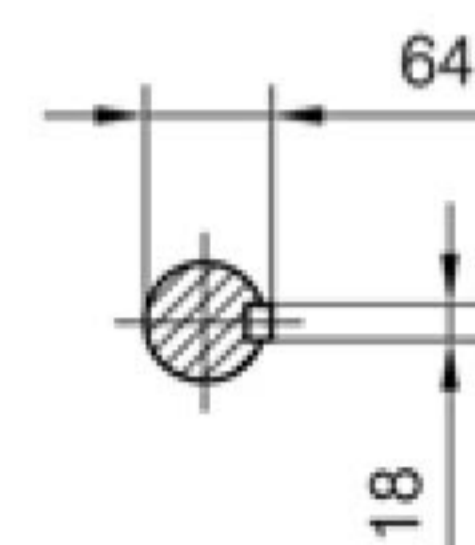
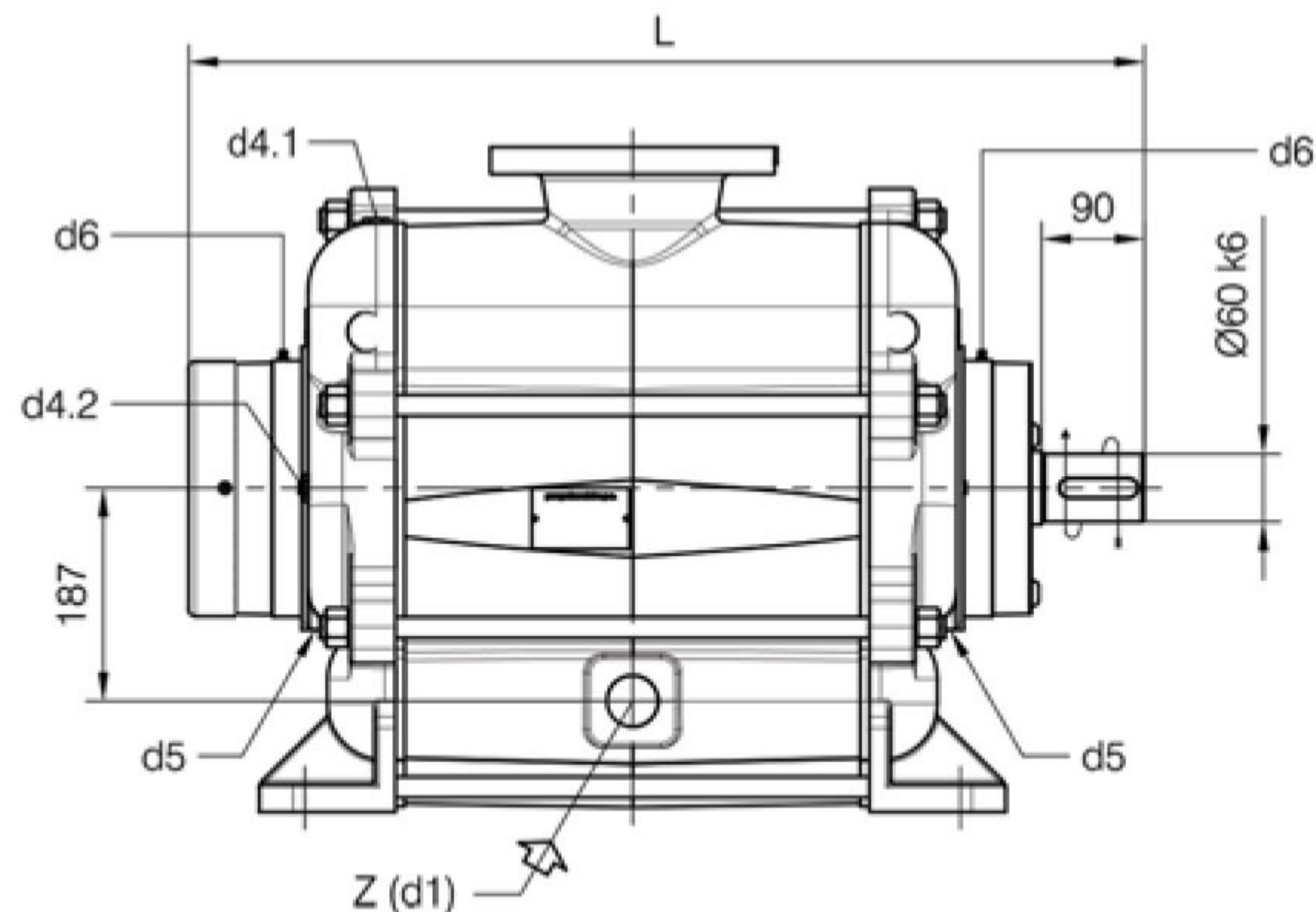
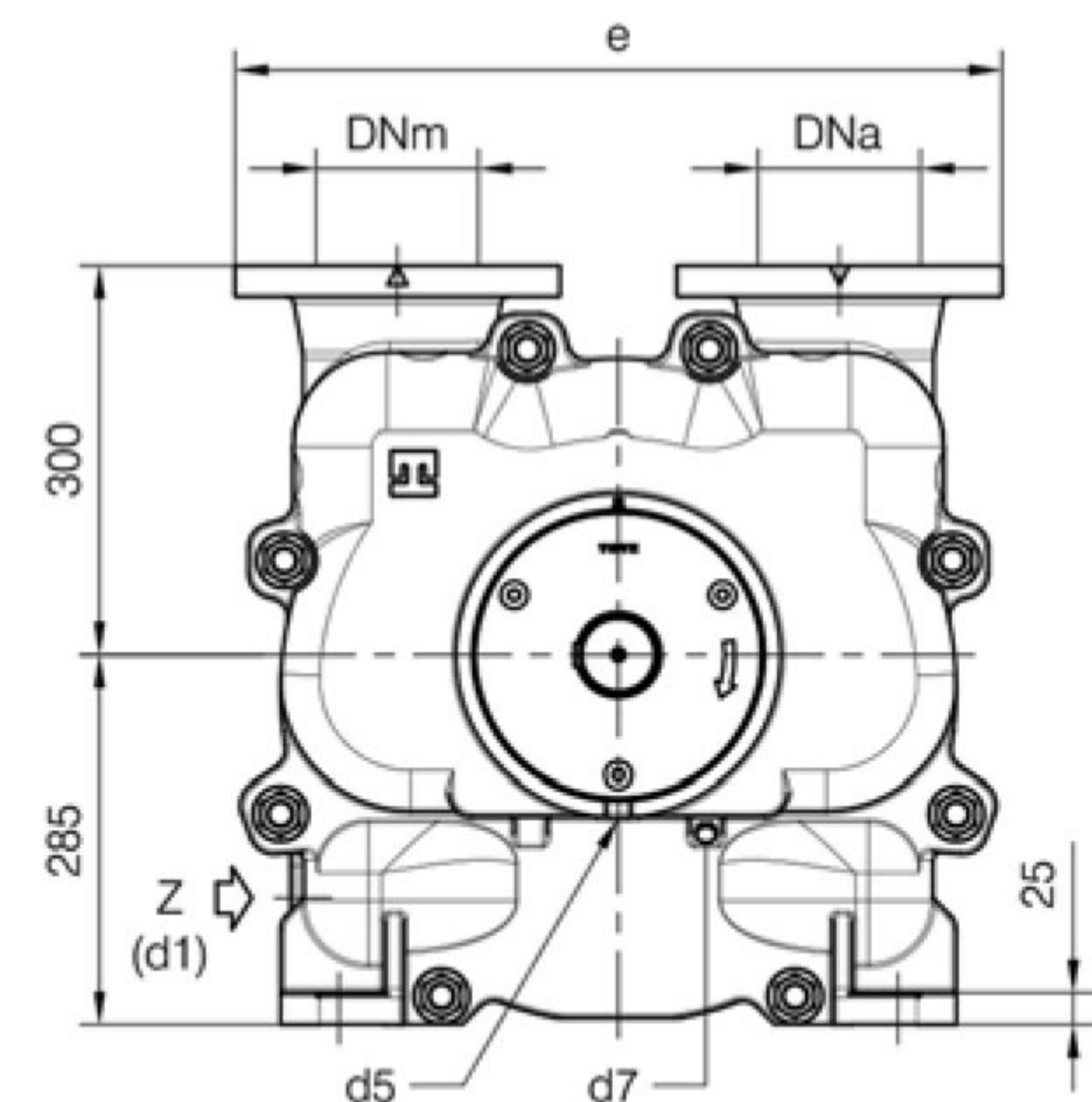


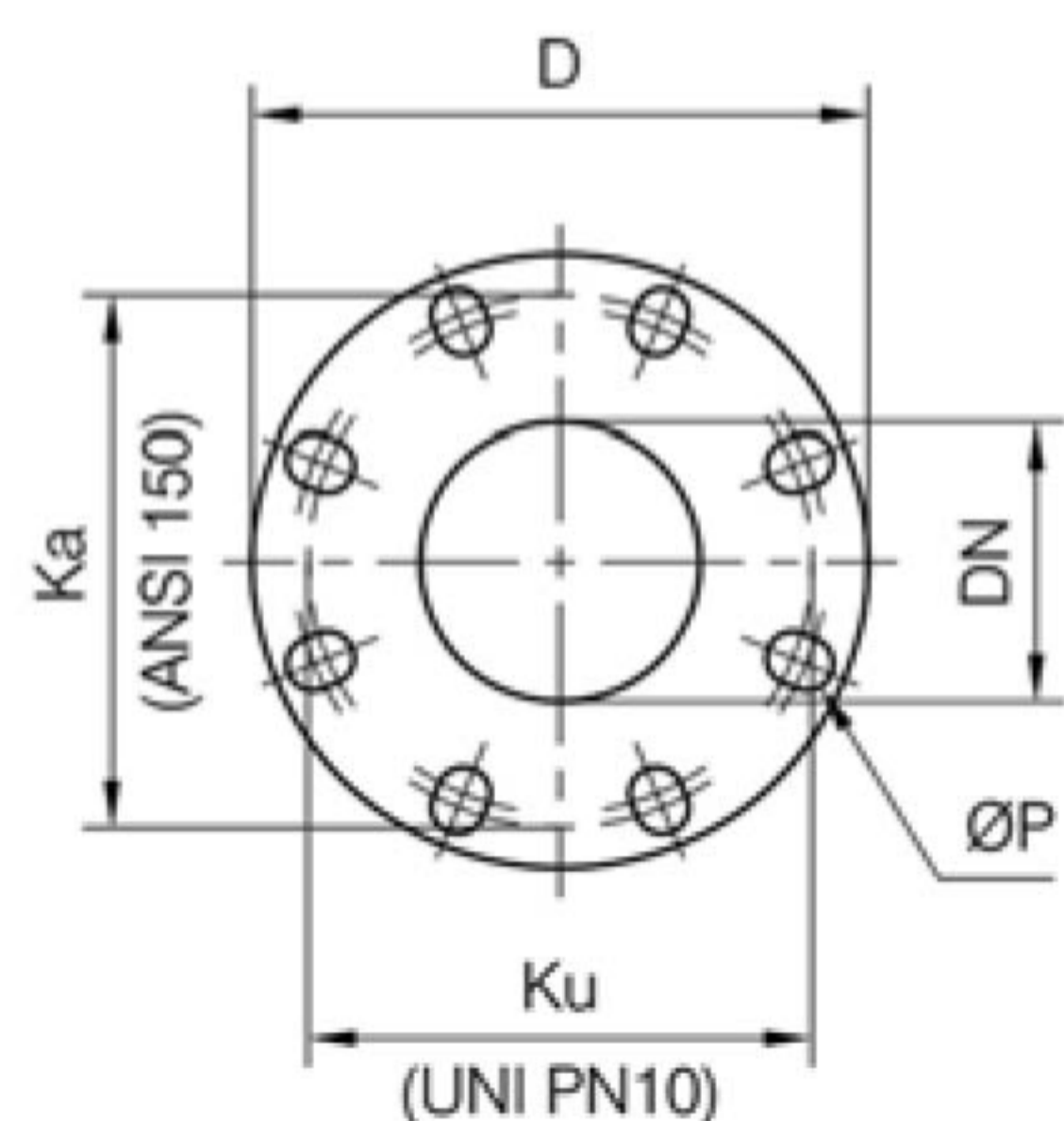
BARESHAF construction



Note :

Mi Max Moment of Inertia at start-up

- d1 G 1 1/2 threaded connection - for liquid supply inlet
- d2 G 1 1/2 plugged connection - auxiliary connection
- d3 G 1/2 plugged connection - for pump casing drain
- d4 G 1/2 plugged connection - for manovacuum gauge
- d4.1 G 1/2 plugged connection - for auxiliary instrumentation
- d4.2 G 1/2 plugged connection - for for auxiliary instrumentation
- d5 G 1/8 threaded connection - for mechanical seal drain
- d6 Greaser connection - for ball bearings type NU313E and 22213E lubrication
- d7 G 1/4 plugged connection - for anticavitation valve



SPECIAL FLANGES
Drilling dimensions according to UNI 2223 NP10 and ANSI 150

Flanges dimensions					
DNa-DNm	D	Ku	Ka	P	N° holes
125	250	210	215.6	22	8

Pump type	Construction dimensions										
	DNa	DNm	e	L	f1	f2	m1	m2	Weight	Mi kgm ²	Lt
TRVX 1253	125	125	590	703	380	323	517	437	371	2	30
TRVX 1255	125	125	590	773	415	358	587	507	412	2.7	35
TRVX 1257	125	125	590	843	450	393	657	577	437	3.7	40

ALL DIMENSIONS IN MILLIMETERS

Schematic drawing. Dimensions in mm with tolerances according to EN 735-1995 standards.
Weights in Kgs, referred to pumps in cast iron without motor, not binding.



Premier Fluid Systems
Canadian Home of Travaini Pumps

4161 Morris Dr. - Unit 5 * Burlington * Ontario * L7L 5L5 * Website: www.pfspumps.com
Tel: 1-800-461-2611 or 905-637-2611 * Fax: 905-333-4722 * email: info@pfspumps.com

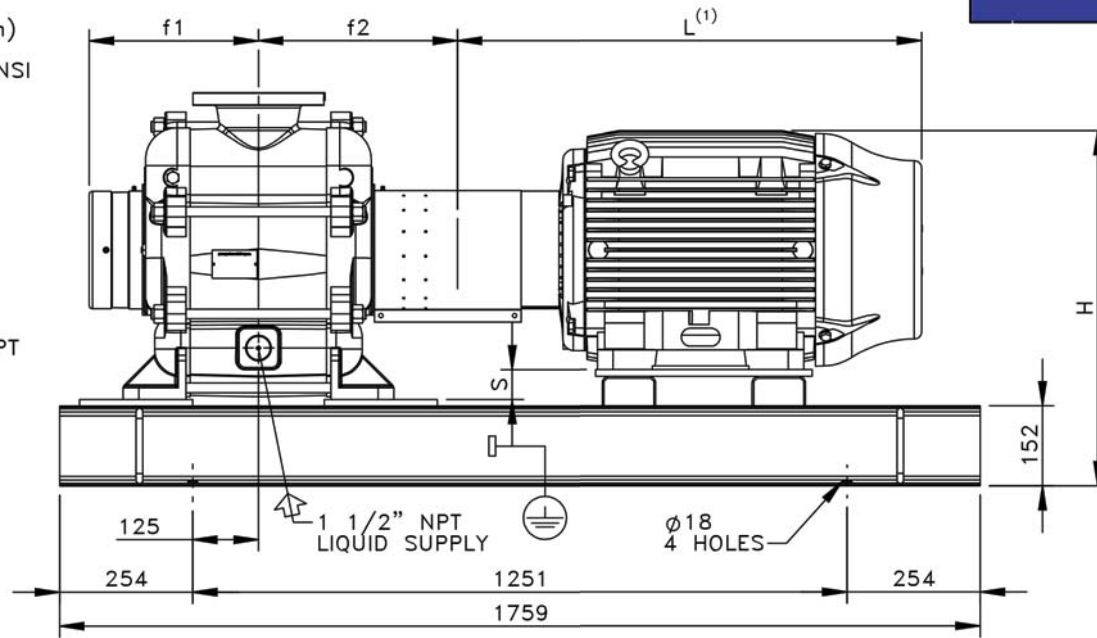
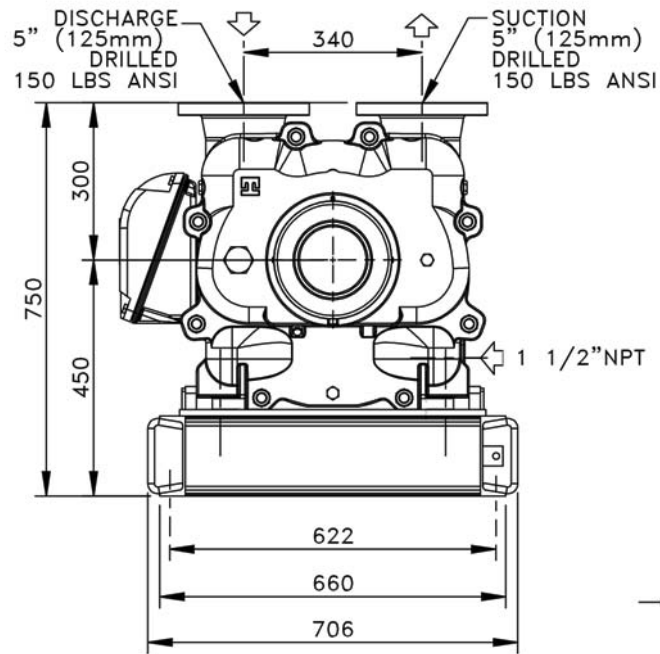
DATE : JAN 2013

N°.: 6.60

COUPLED construction (BASEPLATE-COUPLING)

DIMENSIONAL DRAWING
LIQUID RING VACUUM PUMP

TRVX 1250 SERIES



Pump type	NEMA Frame size	Motor HP	PUMP Weight kgs	Baseplate 213-0193-XXX	Total Weight Kgs	f1	f2	L ⁽¹⁾	H	S
TRVX 1253	365T	40	371	001	911	380	323	888	678	56
	404T	50		002	980			1021	693	31
	404T	60		004	1015			1171	750	6
	444T	100		005	1243			923	678	56
TRVX 1255	365T	40	412	006	952	415	358	1056	693	31
	404T	50		007	1021			1206	750	6
	404T	60		009	1056			960	678	56
	444T	100		010	1284			1093	693	31
	365T	40		011	977			1243	750	6
TRVX 1257	404T	50	437	012	1046	450	393	1093	693	31
	404T	60		014	1081			1243	750	6
	405T	75		015	1309					
	444T	100								

(1)=MAY CHANGE DEPENDING ON MOTOR BRAND & ENCLOSURE
ALL DIMENSIONS IN MILLIMETERS



Premier Fluid Systems
Canadian Home of Travaini Pumps

4161 Morris Dr. - Unit 5 * Burlington * Ontario * L7L 5L5 * Website: www.pfspumps.com
Tel: 1-800-461-2611 or 905-637-2611 * Fax: 905-333-4722 * email: info@pfspumps.com

DATE : JAN 2013

N°.: 6.61