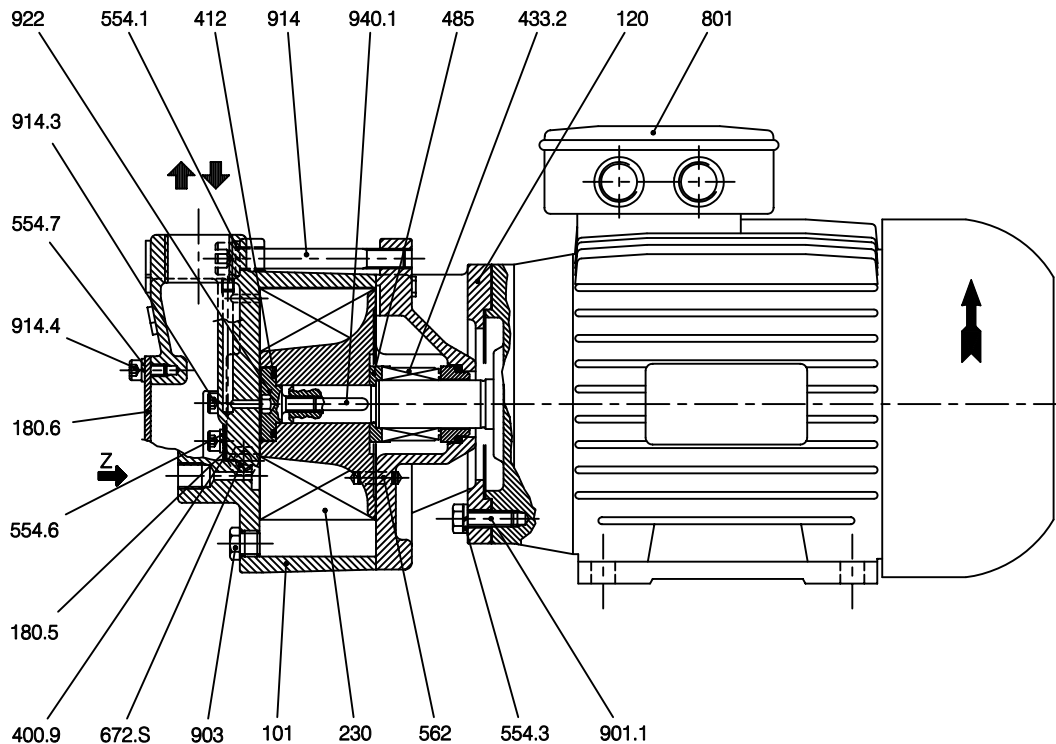


Sectional Drawing with Mechanical Seal



Part Number	Description	Part Number	Description	Part Number	Description
101	Suction/Discharge casing	485	Mechanical Seal Locking Ring	901	Screw
120	Rear Casing	554.1	Washer	903	Plug
180.5	Valve Plate	554.3	Washer	914	Screw
180.6	Port Plate	554.6	Washer	914.3	Screw
➤ 230	Impeller	554.7	Washer	914.4	Screw
➤ 400.9	Plane Valve	562	Cylinder Pin	922	Nut
➤ 412	O-Ring	672.S	Anticavitation Valve	940.1	Key
➤ 433.2	Mechanical Seal	801	Electric Motor	Z	Liquid Supply Inlet

➤ = Recommended spare parts



Premier Fluid Systems
Canadian Home of Travaini Pumps

4161 Morris Dr. - Unit 5 * Burlington * Ontario * L7L 5L5 * Website: www.pfspumps.com
Tel: 1-800-461-2611 or 905-637-2611 * Fax: 905-333-4722 * email: info@pfspumps.com

DATE : MARCH 2002

N°.: 6.6