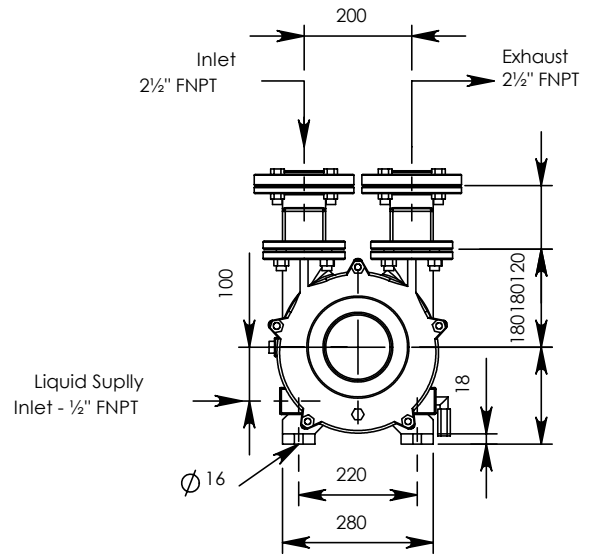
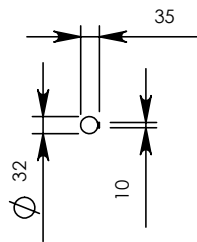
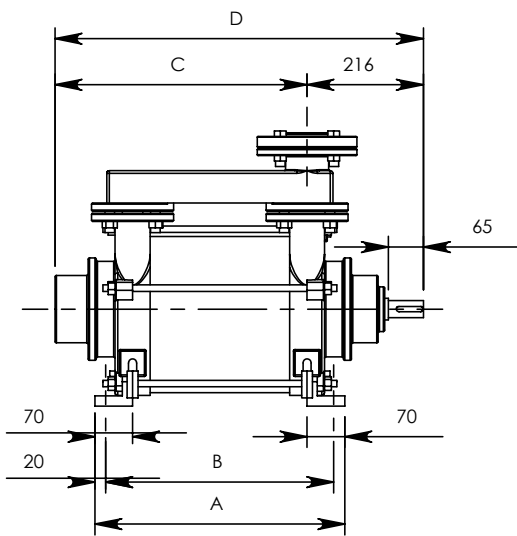


## Bareshaft Construction with Mechanical Seal



Pump Type	A	B	C	D	Weight (Kg.)
TRVA 65-300/C	394	354	398	614	133
TRVA 65-450/1C	464	424	468	684	146



**Premier Fluid Systems**  
Canadian Home of Travaini Pumps

4161 Morris Dr. - Unit 5 \* Burlington \* Ontario \* L7L 5L5 \* Website: [www.pfspumps.com](http://www.pfspumps.com)  
Tel: 1-800-461-2611 or 905-637-2611 \* Fax: 905-333-4722 \* email: [info@pfspumps.com](mailto:info@pfspumps.com)

DATE : MARCH 2002

N°.: 6.34