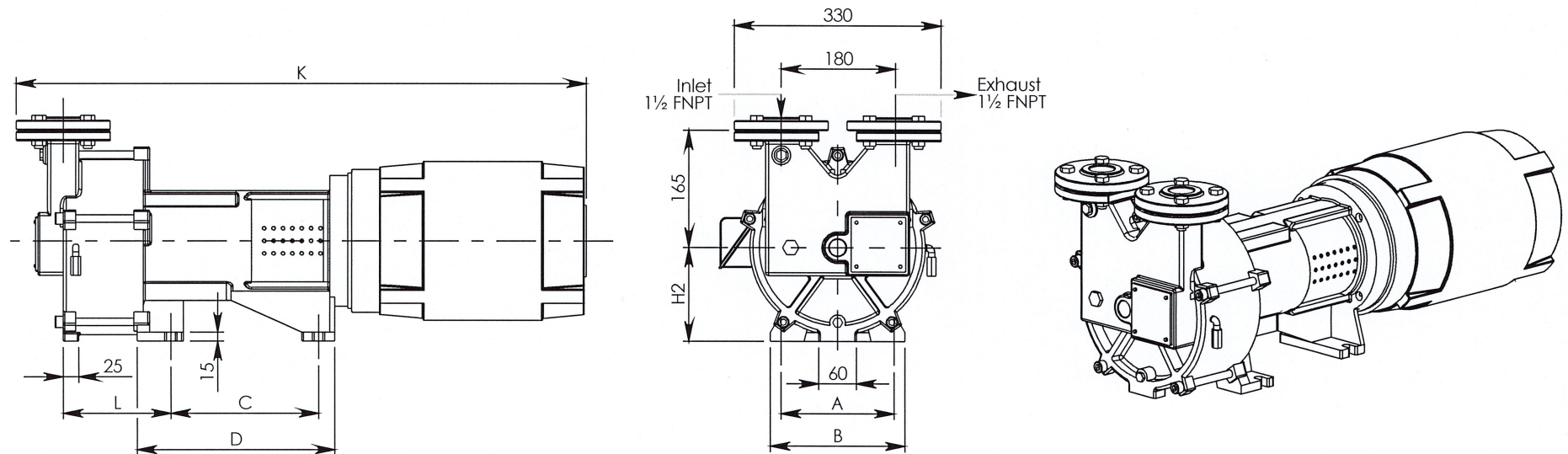


Construction with Mechanical Seal



Pump Type	4 Poles Motor HP	Pump							Weight (Kg.)
		A	B	C	D	H2	K	L	
TRVB 40-110/C-M	5	185	215	236	317	160	818	139	62
TRVB 40-150/C-M	7½							162	69



Premier Fluid Systems
Canadian Home of Travaini Pumps

4161 Morris Dr. - Unit 5 * Burlington * Ontario * L7L 5L5 * Website: www.pfspumps.com
Tel: 1-800-461-2611 or 905-637-2611 * Fax: 905-333-4722 * email: info@pfspumps.com

DATE : MARCH 2002

N°.: 6.25