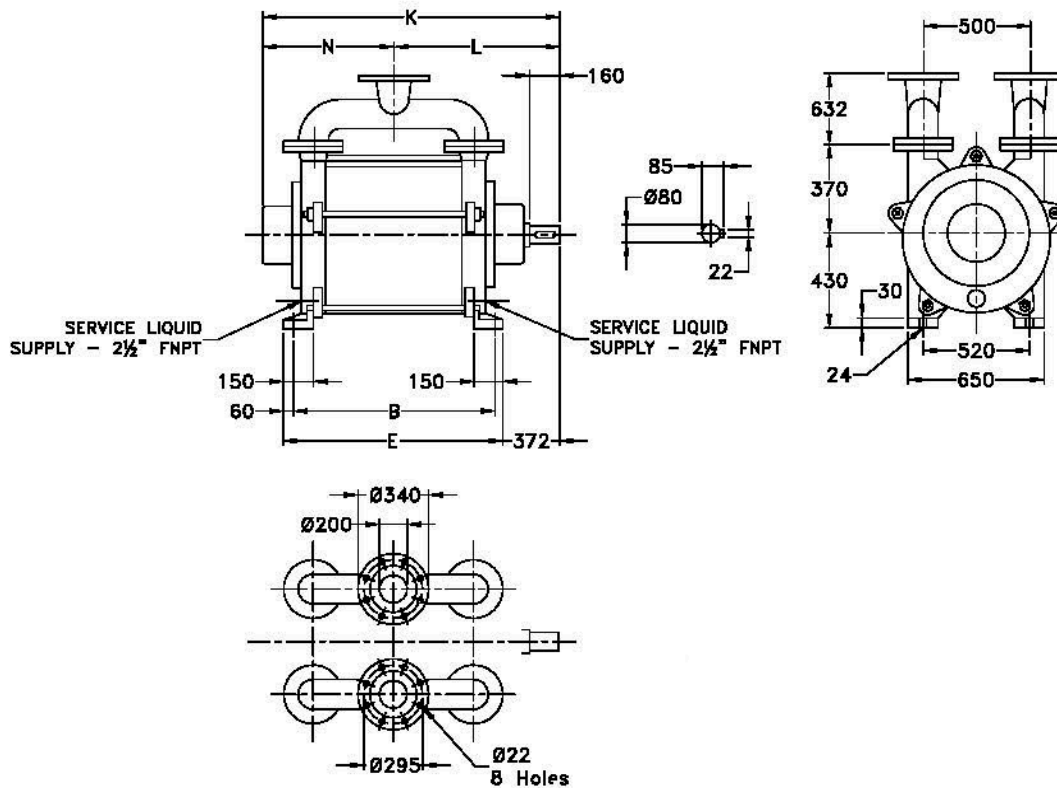


Bareshaft Construction with Mechanical Seal



PUMP TYPE	'B'	'E'	'K'	'L'	'N'	WEIGHT (KG.)
TRSA 200-1950/C	710	830	1410	787	623	1125
TRSA 200-2500/C	810	930	1510	837	673	1225



Premier Fluid Systems
Canadian Home of Travaini Pumps

4161 Morris Dr. - Unit 5 * Burlington * Ontario * L7L 5L5 * Website: www.pfspumps.com
Tel: 1-800-461-2611 or 905-637-2611 * Fax: 905-333-4722 * email: info@pfspumps.com

DATE: MARCH 2006

No.: 5.30