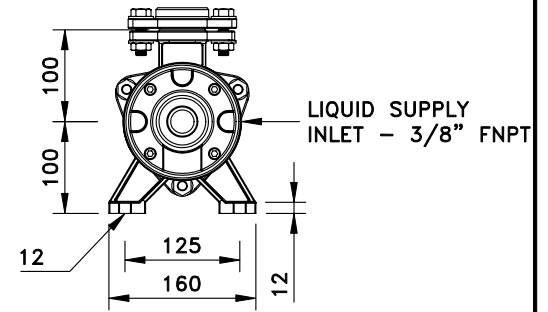
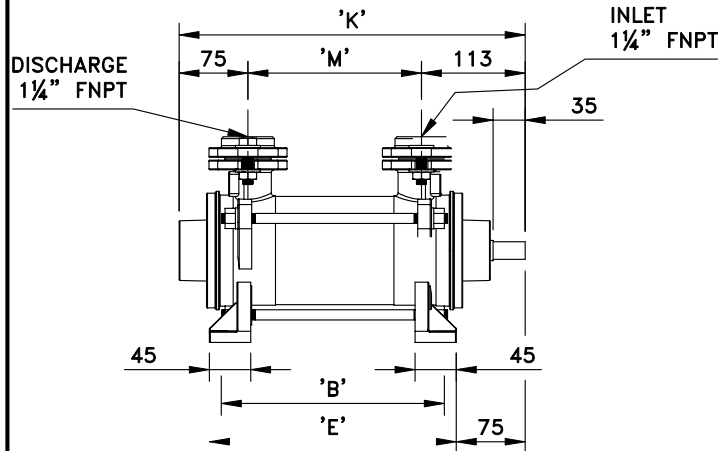


Bareshaft Construction with Mechanical Seal



PUMP TYPE	B	E	M	K	WEIGHT (Kg.)
TRHE 32-20/C	193	219	139	327	18
TRHE 32-45/C	243	269	189	377	21



Premier Fluid Systems
Canadian Home of Travaini Pumps

4161 Morris Dr. - Unit 5 * Burlington * Ontario * L7L 5L5 * Website: www.pfspumps.com
Tel: 1-800-461-2611 or 905-637-2611 * Fax: 905-333-4722 * email: info@pfspumps.com

DATE : JUNE 2006

No.: 7.10