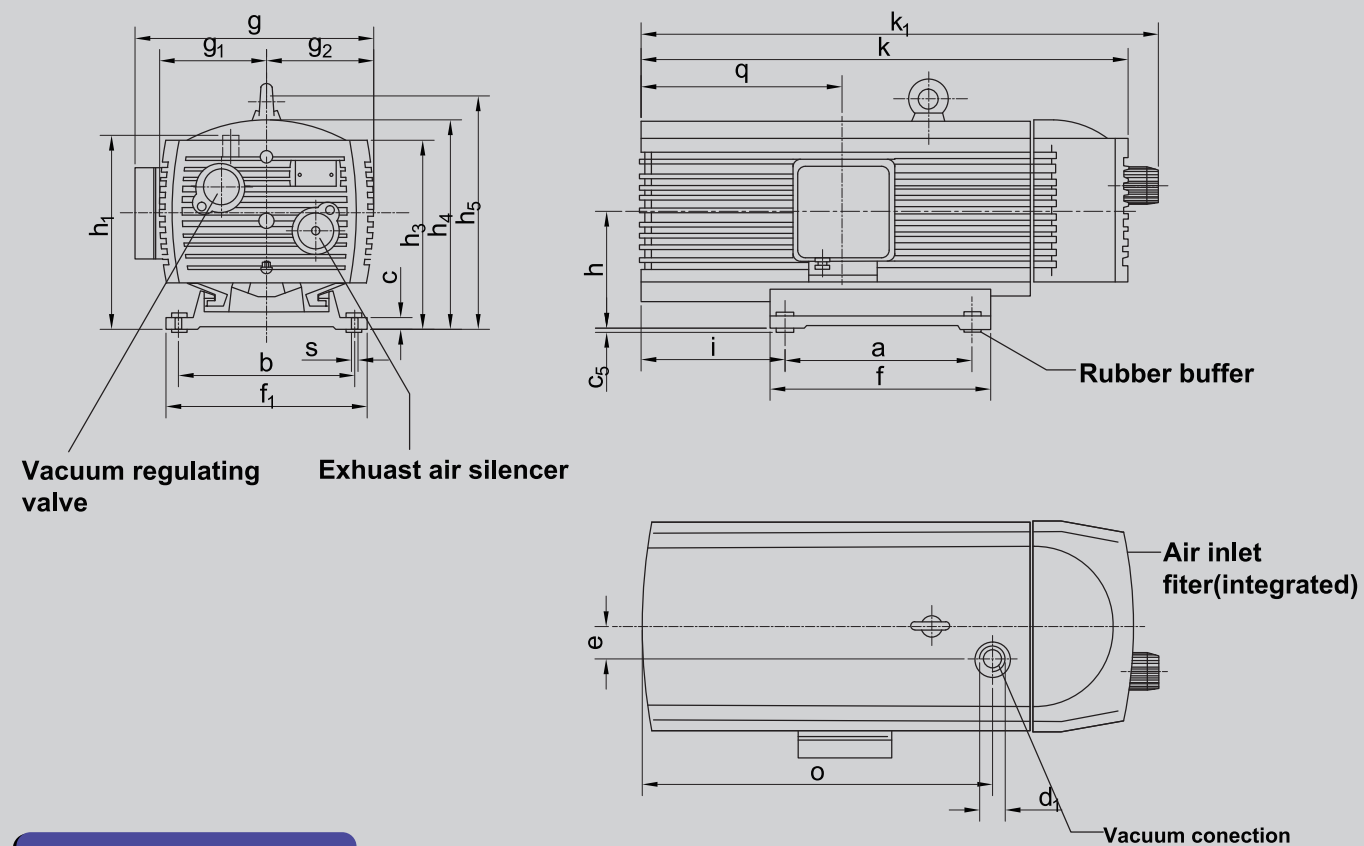




**Series D imensional Data**

oil-free working, air cooled

**Rotary vane vacuum pump  
DVV 10 to 40**

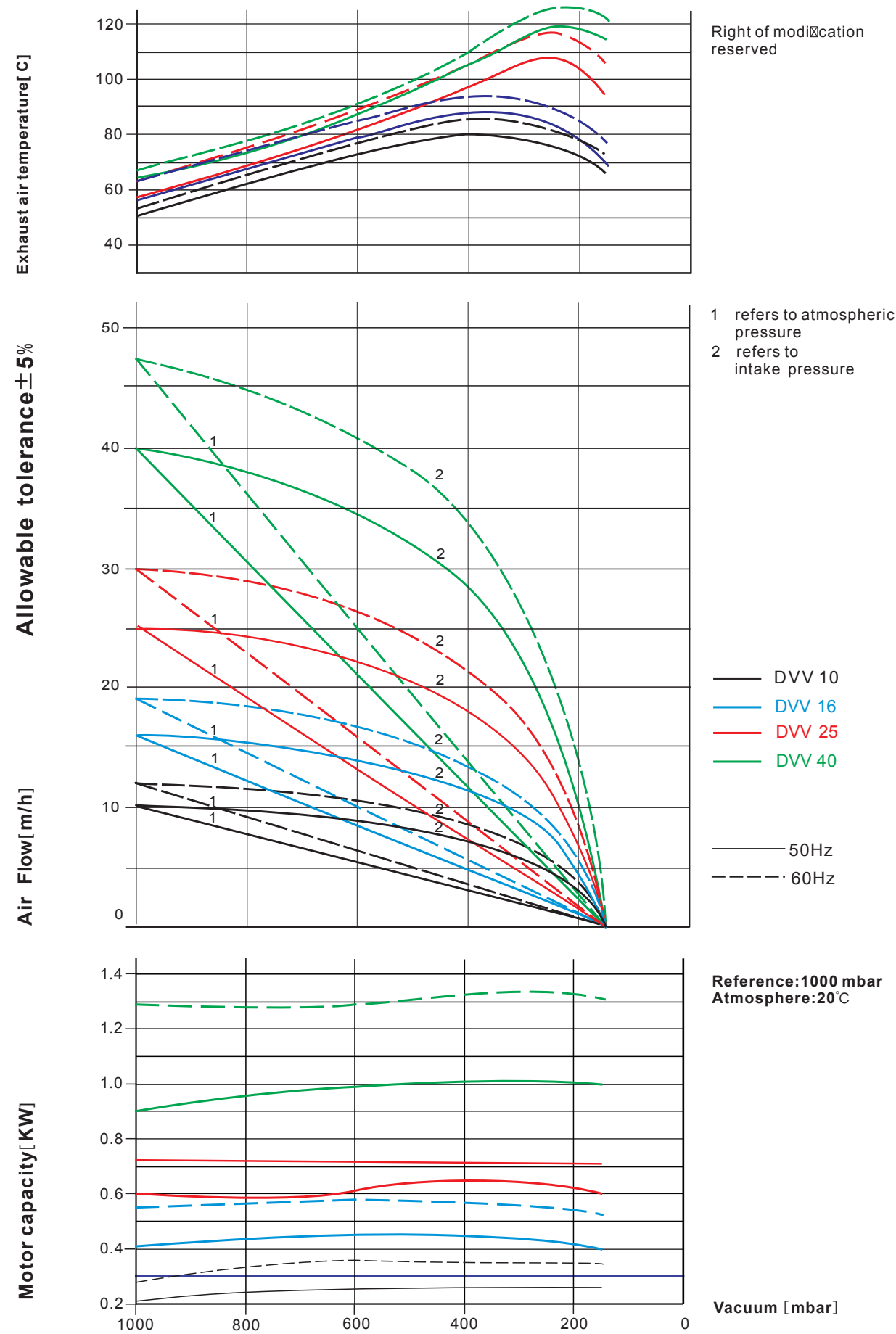


**Technical Data**

Type	Air flow (m <sup>3</sup> /h)		Motor capacity installed(KW)		Motor voltage				Vacuum (mbar)	Speed(RPM)		Noise Level [dB(A)]		Weight (kg)
					Three-phase		A.C.			50 Hz	60 Hz	50 Hz	60 Hz	
	50 Hz	60 Hz	50 Hz	60 Hz	50 Hz	60 Hz	50 Hz	60 Hz		50 Hz	60 Hz	50 Hz	60 Hz	
DVV 10	10	12	0.37	0.44	175-260/ 330-450V	202-300/ 350-520V	230V±10%	230V±10%	150	1420	1700	60	62	15
DVV 16	16	19.2	0.55	0.66	175-260/ 330-450V	202-300/ 350-520V	230V±10%	230V±10%	150	1420	1700	64	64	22
DVV 25	25	30	0.75	0.9	190-255/ 330-440V	190-290/ 330-500V	230V±10%	230V+10%	150	1420	1700	64	67	28
DVV 40	40	48	1.25	1.5	190-255/ 330-440V	190-290/ 330-500V	230V±10%	230V+10%	150	1420	1700	67	72	39
Type	a	b	c	c <sub>s</sub>	d <sub>i</sub>	e	f	f <sub>i</sub>	g	g <sub>1</sub>	g <sub>2</sub>			
DVV 10	205	128.5	15	3	G 1/2"	35	244	156	202	89	89			
DVV 16	204	128	15	3	G 1/2"	35	244	156	225	102	102			
DVV 25	220	195	15	3	G 3/4"	40	260	240	252	125	125			
DVV 40	220	198	15	3	G 3/4"	40	260	240	270	125	125			
Type	h	h <sub>1</sub>	h <sub>3</sub>	h <sub>4</sub>	h <sub>5</sub>	l	k	k <sub>1</sub>	o	q	Ø <sub>s</sub>			
DVV 10	113	172	173	183	192	60	387	426	257	118.5	7			
DVV 16	104.5	182.5	182.5	201	208	70	415	454	289	70	7			
DVV 25	130.5	226	227	245	292	101	465	502	300	170	7			
DVV 40	140	226	227	247	292	136	531	570	362	195.5	7			

Measures in mm

**Performance Data**



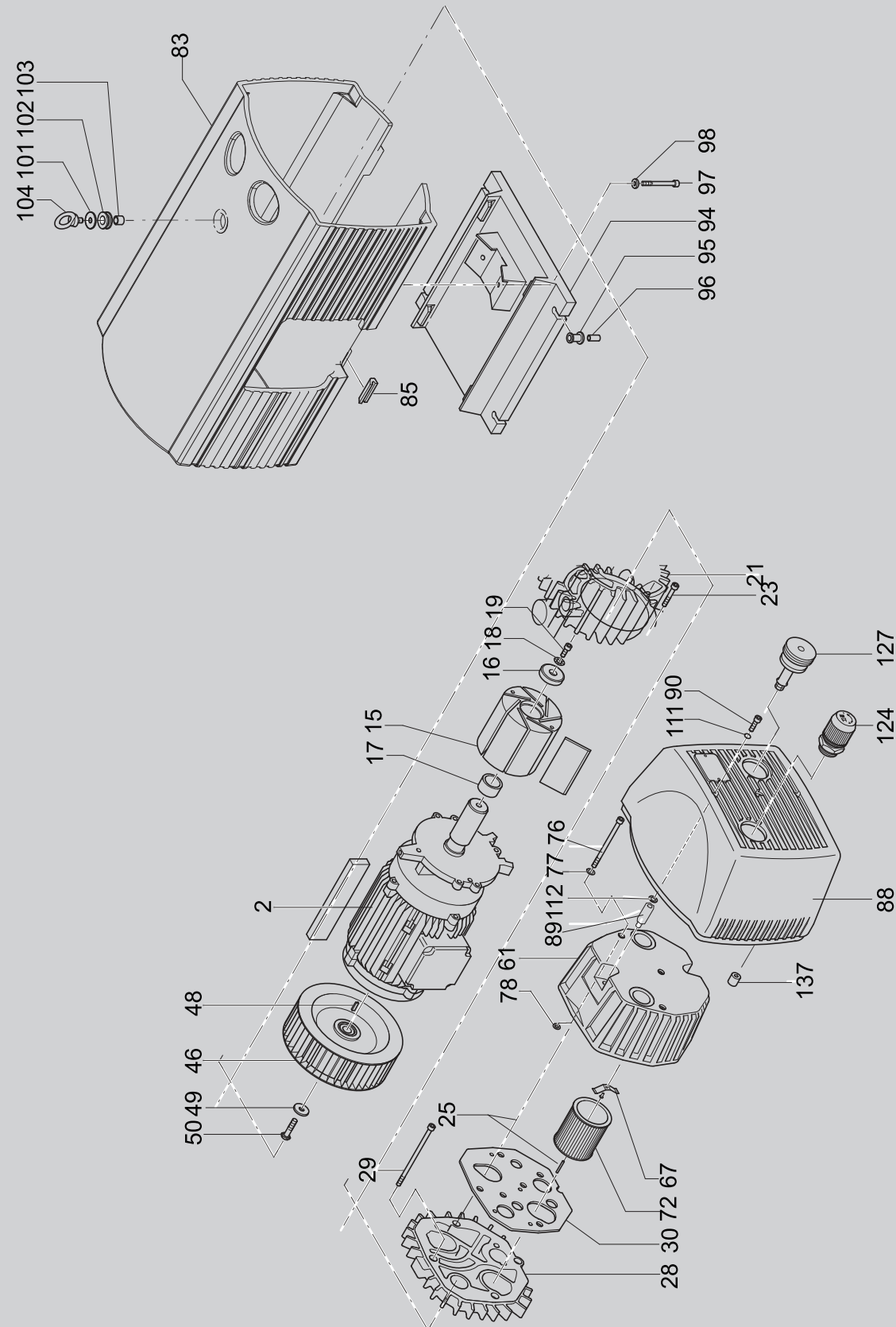


# Rotary vane vacuum pump

## DVV 10 to 40

oil-free working, air cooled

Spare Parts List



INDEX	Pos.	DESCRIPTION	Pos.	DESCRIPTION
<b>10~40</b>	15	ROTOR		
	16	CLAMPING DISC		
	17	STAR-TOLERANCE-RING		
	18	TOOTHED SPRING WASHER		
	19	SOCKET HEAD SCREW		
	21	PUMP BODY		
	23	SOCKET HEAD SCREW		
	24	CARBON VANES(KIT)		
	25	LOCATING PIN		
	28	LID		
	29	SOCKET HEAD SCREW		
	30	GASKET		
	46	FAN		
	48	KEY		
	49	WASHER		
	50	SHAFT END BOLT		
	61	FILTER COVER		
	67	BLADE SPRING		
	72	FILTER CARTRIDGE(1X)		
	76	SOCKET HEAD SCREW		
	77	SEALING RING		
	78	O-RING		
	83	PROTECTING HOOD		
	85	RUBBER ELEMENT		
	88	PROTECTING HOOD(FRONT)		
	89	SPACER		
	90	SOCKET HEAD SCREW		
	91	RUBBER ELEMENT		
92	EDGE PROTECTION			
94	FOOT			
95	RUBBER ELEMENT			
96	SPACING COLLAR			
97	SOCKET HEAD SCREW			
98	WASHER			
101	DISC			
102	RUBBER BUSHING			
103	SPACER TUBE			
104	EYE SCREW			
111	O-RING			
112	RUBBER DISC			
124	VACUUM REGULATING VALVE			
127	BLOW-OFF VALVE			