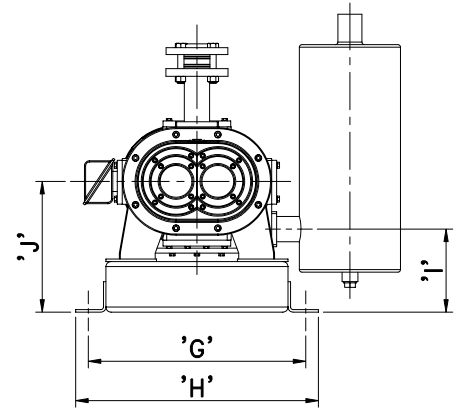
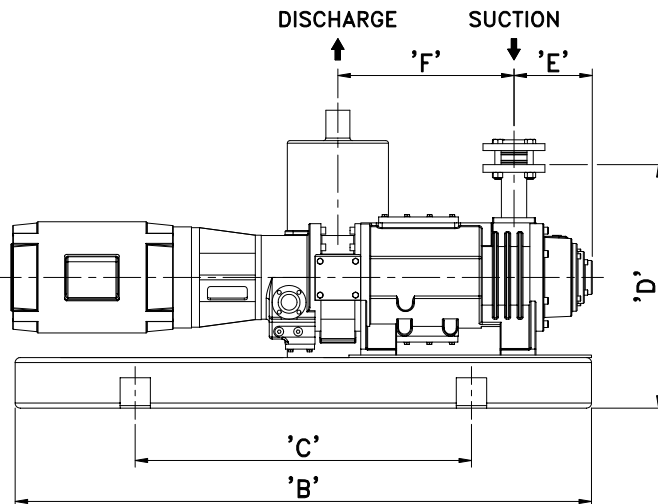
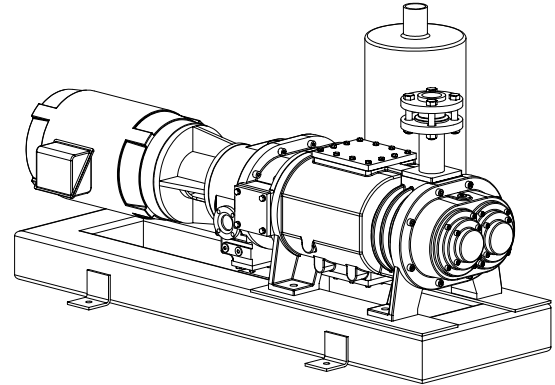
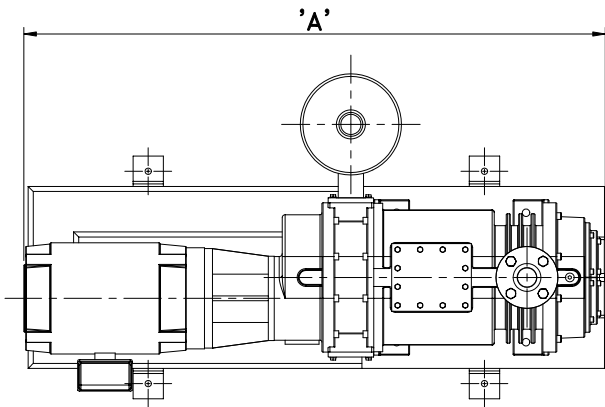


DIMENSIONAL DATA DRY-VAC SERIES



PUMP MODEL	'A'	'B'	'C'	'D'	'E'	'F'	'G'	'H'	'I'	'J'	SUCTION	DISCHARGE
DRY-VAC 100	1146	1300	550	535	195	254	360	420	201	290	1½"	1½"
DRY-VAC 200	1200	1300	550	599	174	338	360	420	231	341	1½"	1½"
DRY-VAC 300	1550	1300	550	598	183	447	380	440	211	331	2"	1½"
DRY-VAC 400	1475	1400	600	606	193	473	420	460	231	341	2½"	2"
DRY-VAC 800	1810	1600	700	685	240	550	520	560	245	345	4"	3"

DIMENSIONS IN mm



Premier Fluid Systems
Canadian Home of Travaini Pumps

4161 Morris Dr. - Unit 5 * Burlington * Ontario * L7L 5L5 * Website: www.pfspumps.com
Tel: 1-800-461-2611 or 905-637-2611 * Fax: 905-333-4722 * email: info@pfspumps.com

DATE : NOVEMBER 2005

N°.: 9.3