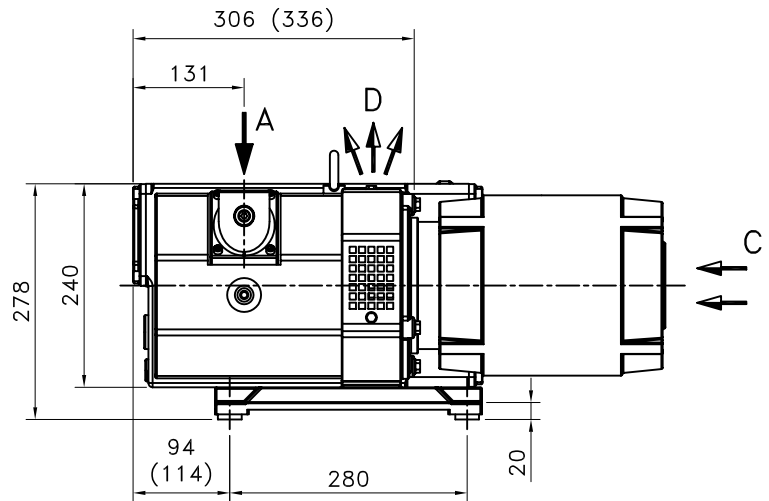
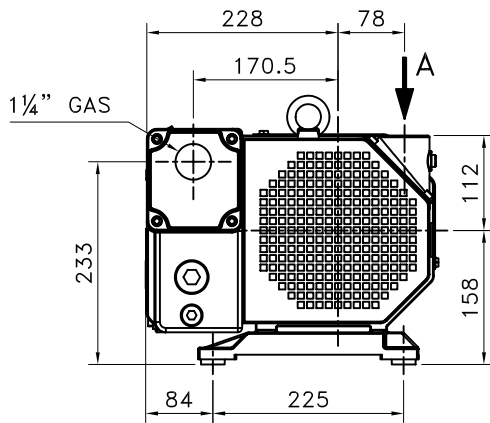
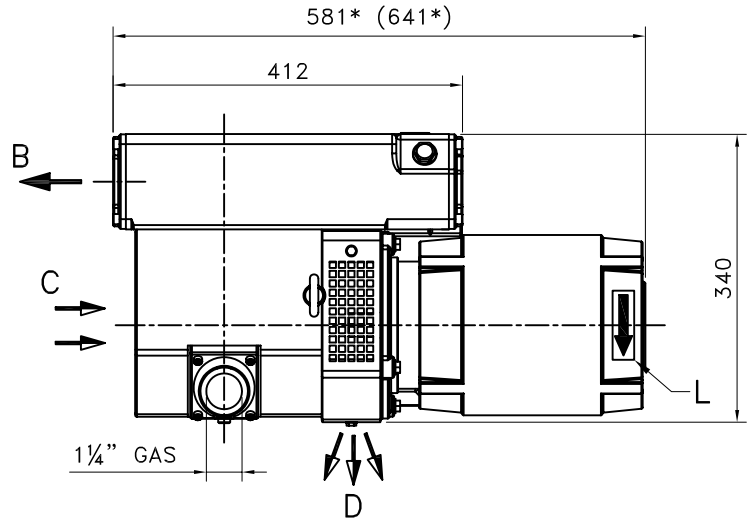


**DIMENSIONAL DRAWING  
ROTARY VANE VACUUM PUMP  
ROTANT PUMP MODEL**

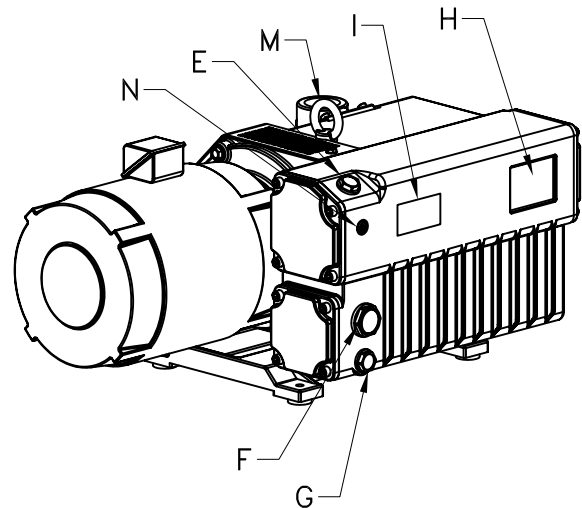
**EU-EU/B 45 & 65**



DIMENSIONS IN mm

\* DIMENSIONS SUBJECT TO CHANGE DEPENDING ON THE MOTOR BRAND

ITEM	FUNCTION
A	VACUUM INLET
B	EXHAUST
C	COOLING AIR INLET
D	COOLING AIR OUTLET
E	OIL FILL PLUG
F	OIL LEVEL SIGHT GLASS
G	OIL DRAIN PLUG
H	PUMP NAME PLATE
I	OIL GRADE LABEL
L	PUMP ROTATION DIRECTION PLATE
M	LIFTING EYEBOLT
N	1/8" POST FOR PRESSURE GAUGE



**Premier Fluid Systems**  
Canadian Home of Travaini Pumps

4161 Morris Dr. - Unit 5 \* Burlington \* Ontario \* L7L 5L5 \* Website: [www.pfspumps.com](http://www.pfspumps.com)  
Tel: 1-800-461-2611 or 905-637-2611 \* Fax: 905-333-4722 \* email: [info@pfspumps.com](mailto:info@pfspumps.com)

**DATE:** Oct 2008

**No.:** 8.18