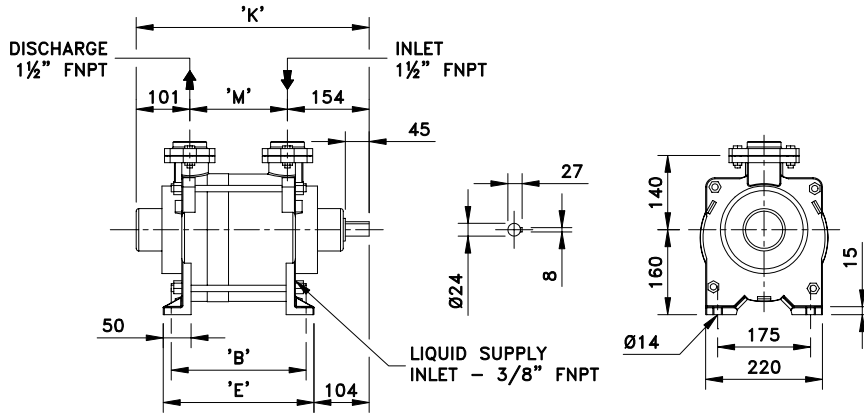
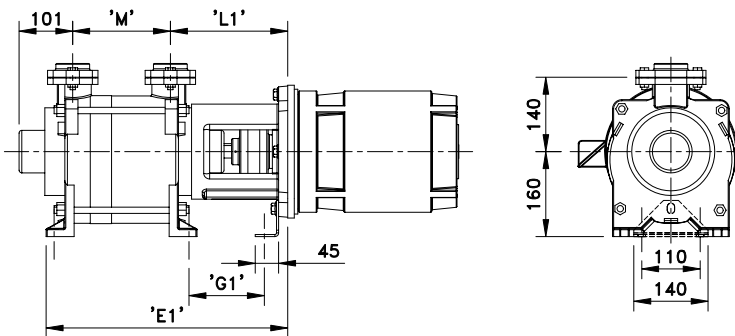


## Bareshaft Construction with Mechanical Seal



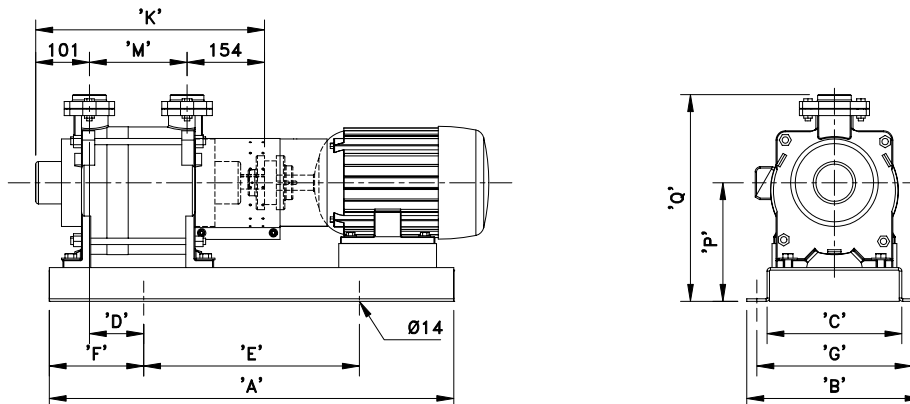
PUMP TYPE	'B'	'E'	'M'	'K'	WEIGHT (KG.)
TRHE 40-60/C	254	284	184	439	45
TRHE 40-110/C	294	324	224	479	49

## Close-Coupled Construction with Mechanical Seal



PUMP TYPE	4 POLES MOTOR HP	'E1'	'G1'	'L1'	'M'	WEIGHT <sup>1</sup> (KG.)
TRHE 40-60/C	3	464	154	230	184	57
	5					61
TRHE 40-110/C	5	525	178	251	224	66
	7 1/2					66

## Base-Mounted Construction (Baseplate-Coupling) with Mechanical Seal



PUMP TYPE	4 POLES MOTOR HP	BASE PLATE	'A'	'B'	'C'	'D'	'E'	PUMP 'F'	'G'	'K'	'M'	'P'	'Q'	WEIGHT <sup>2</sup> (KG.)
TRHE 40-60/C	3	901	762	330	254	110	406	178	292	439	184	220	376	70
	5													74
TRHE 40-110/C	5	900	965	356	279	50	610	178	318	479	224	225	381	87
	7 1/2													87

<sup>1</sup> Weight without motor (Close-Coupled)  
<sup>2</sup> Weight without motor (Baseplate-Coupling)  
Dimensions in mm



**Premier Fluid Systems**  
Canadian Home of Travaini Pumps

4161 Morris Dr. - Unit 5 \* Burlington \* Ontario \* L7L 5L5 \* Website: [www.pfspumps.com](http://www.pfspumps.com)  
Tel: 1-800-461-2611 or 905-637-2611 \* Fax: 905-333-4722 \* email: [info@pfspumps.com](mailto:info@pfspumps.com)

**DATE : JUNE 2006**

**No.: 7.17**