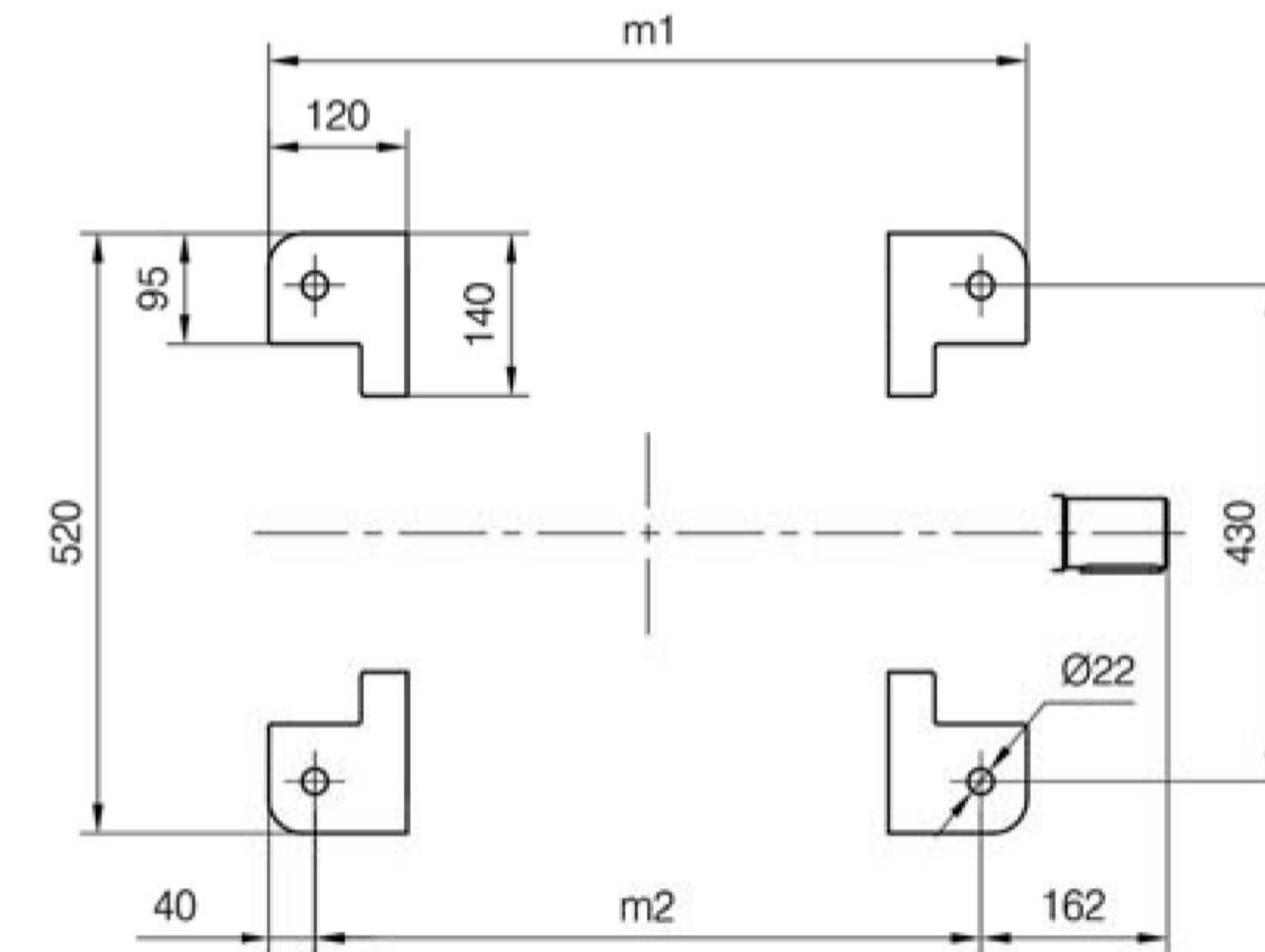
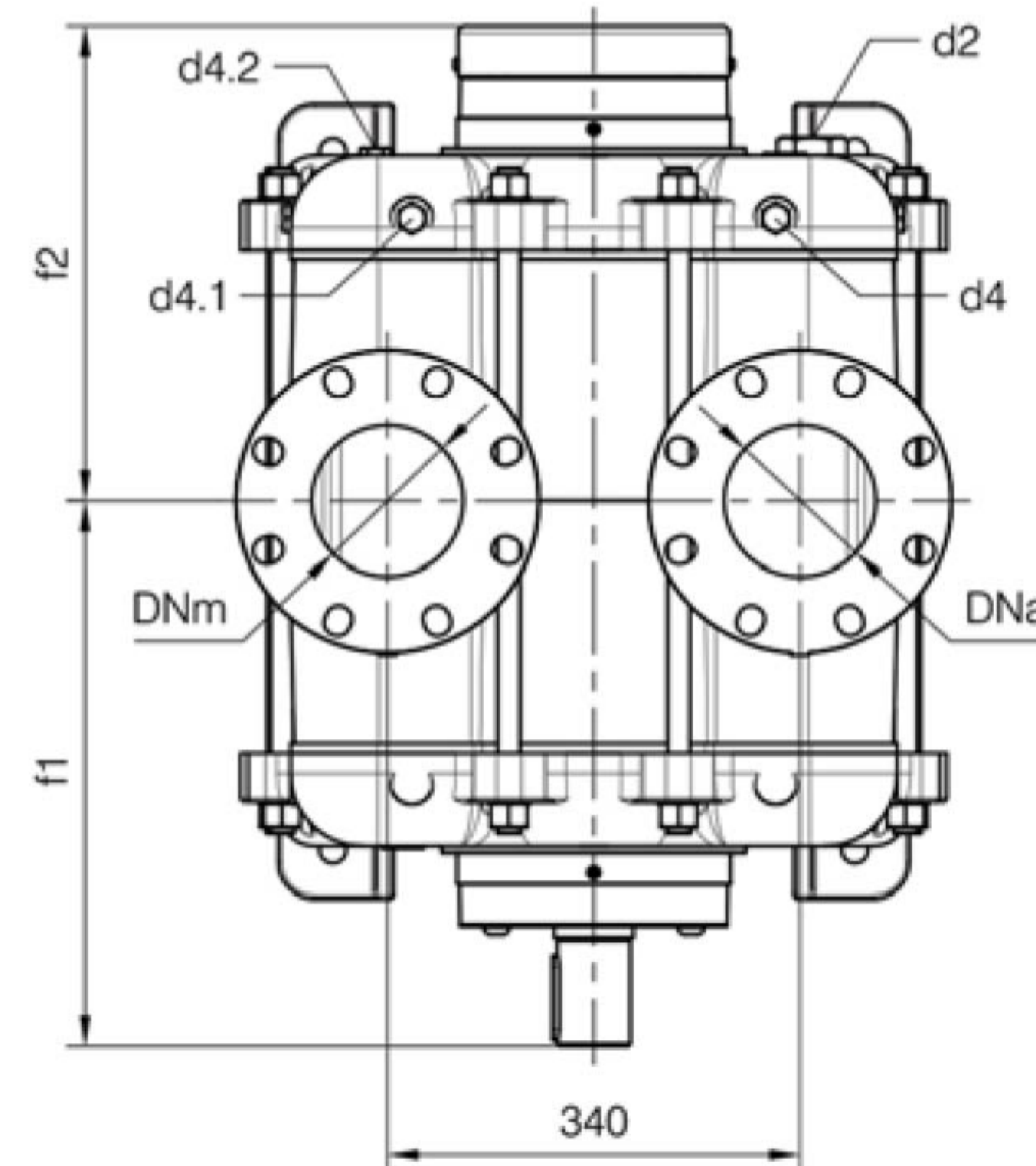
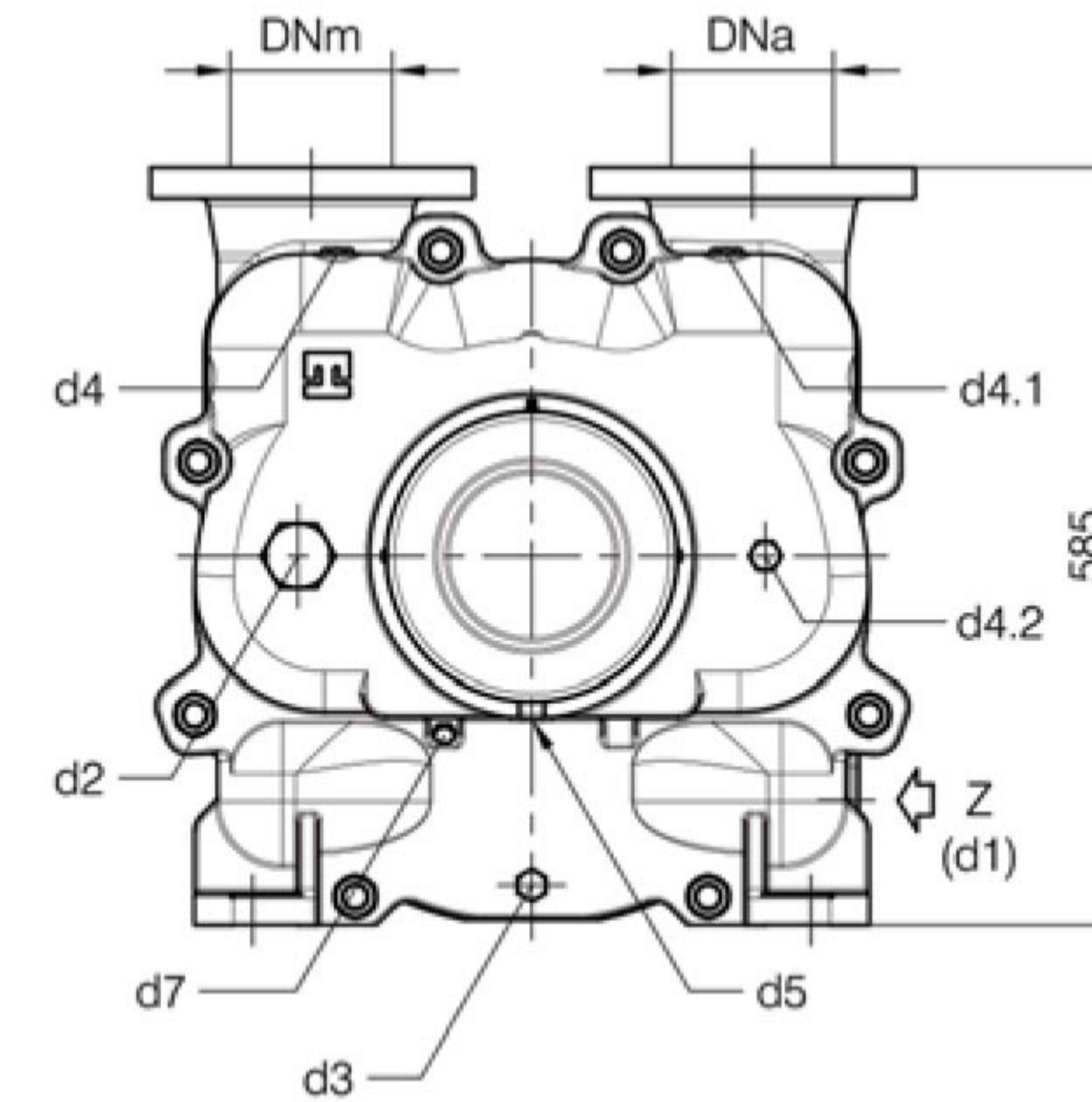
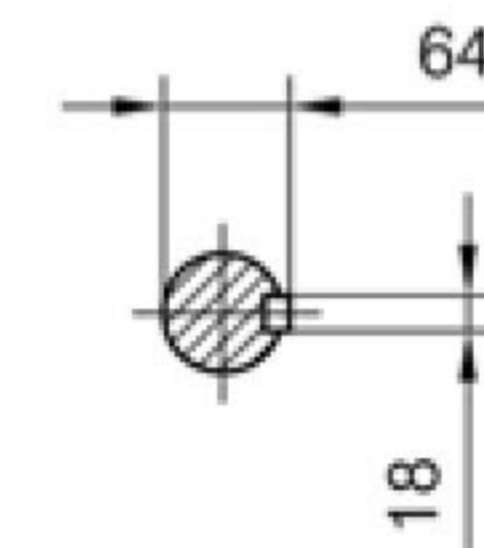
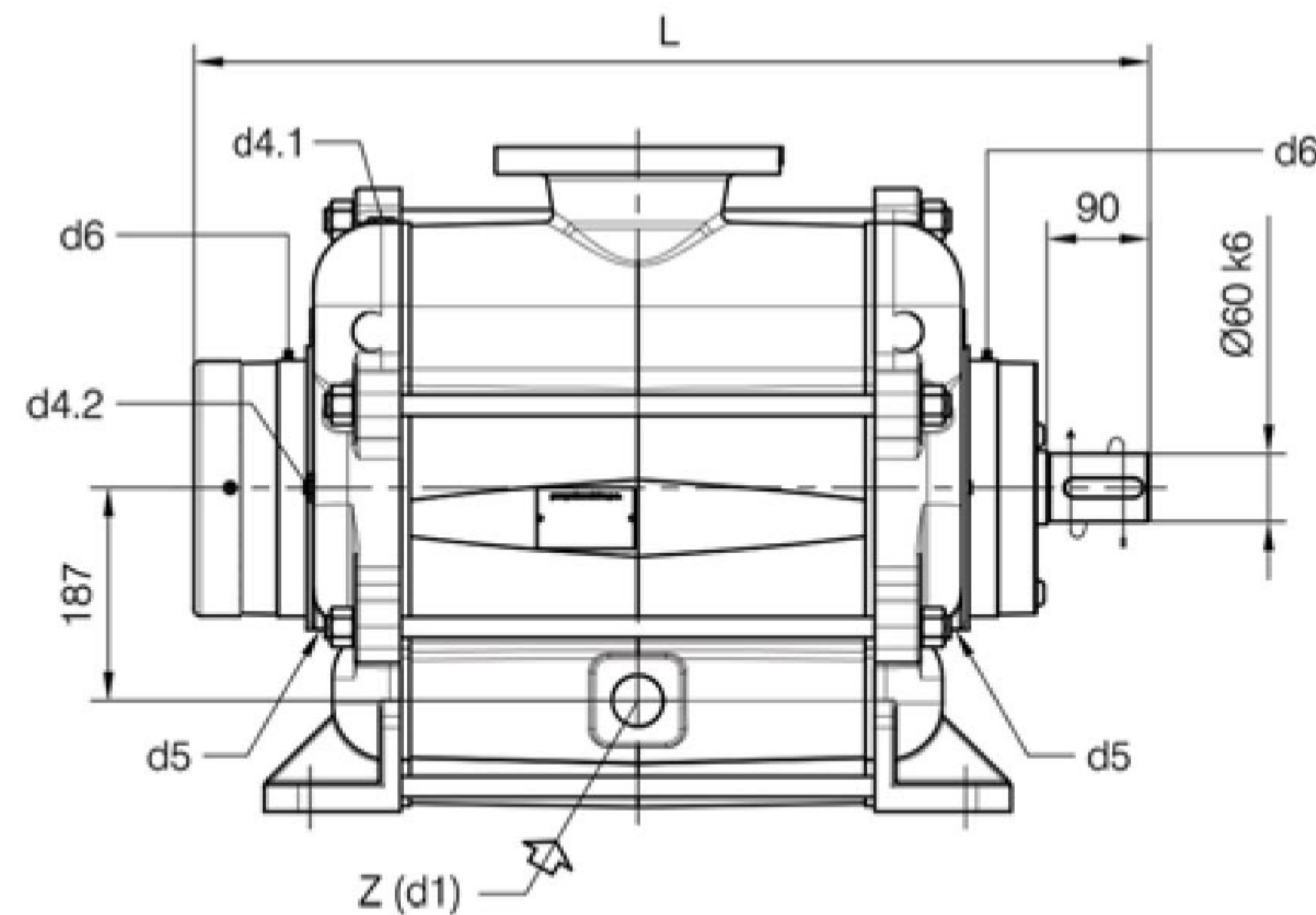
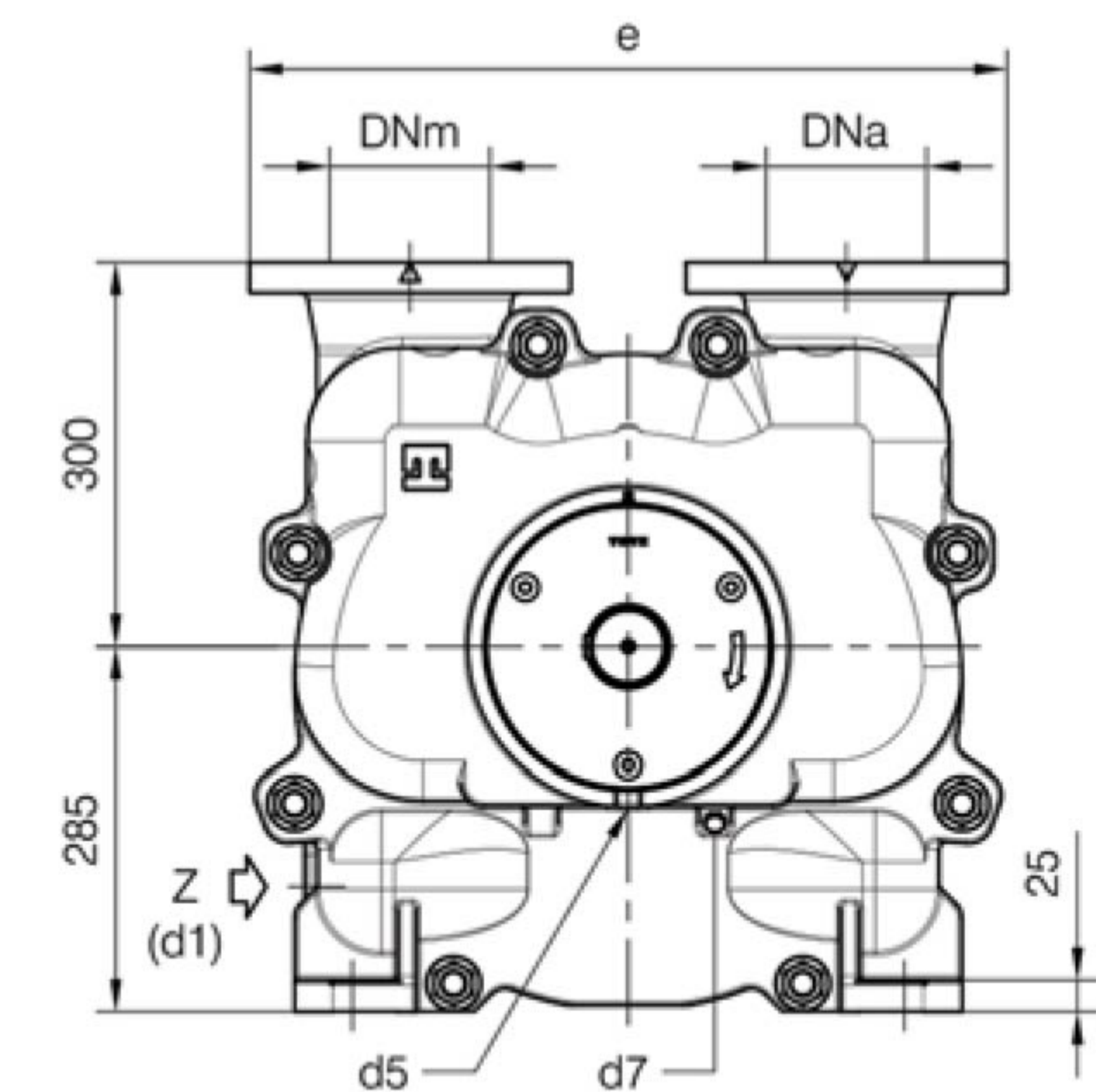


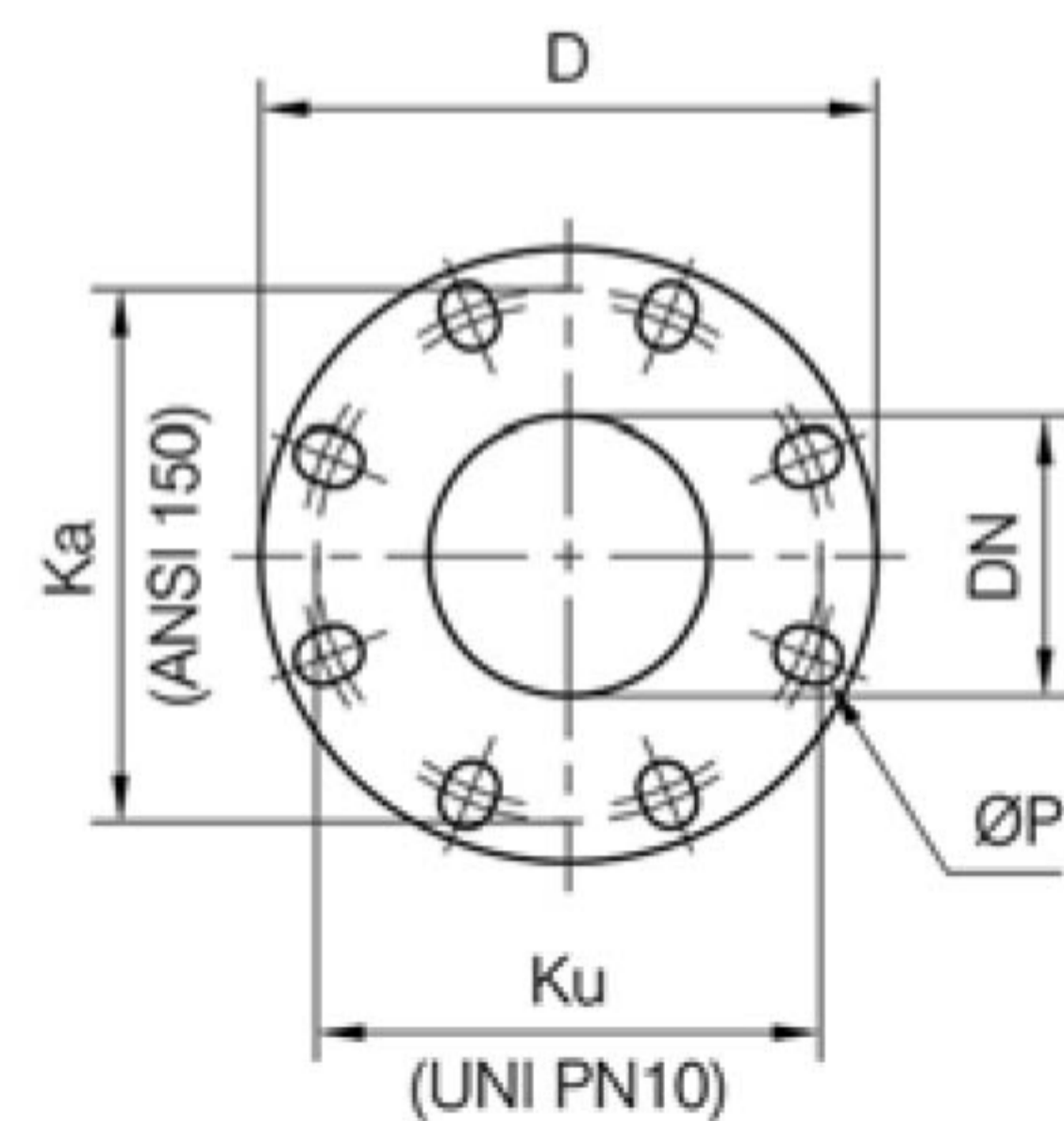
BARESHAF construction



Note :

Mi Max Moment of Inertia at start-up

- d1 G 1 1/2 threaded connection - for liquid supply inlet
- d2 G 1 1/2 plugged connection - auxiliary connection
- d3 G 1/2 plugged connection - for pump casing drain
- d4 G 1/2 plugged connection - for manovacuum gauge
- d4.1 G 1/2 plugged connection - for auxiliary instrumentation
- d4.2 G 1/2 plugged connection - for for auxiliary instrumentation
- d5 G 1/8 threaded connection - for mechanical seal drain
- d6 Greaser connection - for ball bearings type NU313E and 22213E lubrication
- d7 G 1/4 plugged connection - for anticavitation valve



SPECIAL FLANGES
Drilling dimensions according to UNI 2223 NP10 and ANSI 150

Flanges dimensions					
DNa-DNm	D	Ku	Ka	P	N° holes
125	250	210	215.6	22	8

Pump type	Construction dimensions										
	DNa	DNm	e	L	f1	f2	m1	m2	Weight	Mi kgm ²	Lt
TRVX 1253	125	125	590	703	380	323	517	437	371	2	30
TRVX 1255	125	125	590	773	415	358	587	507	412	2.7	35
TRVX 1257	125	125	590	843	450	393	657	577	437	3.7	40

ALL DIMENSIONS IN MILLIMETERS

Schematic drawing. Dimensions in mm with tolerances according to EN 735-1995 standards.
Weights in Kgs, referred to pumps in cast iron without motor, not binding.