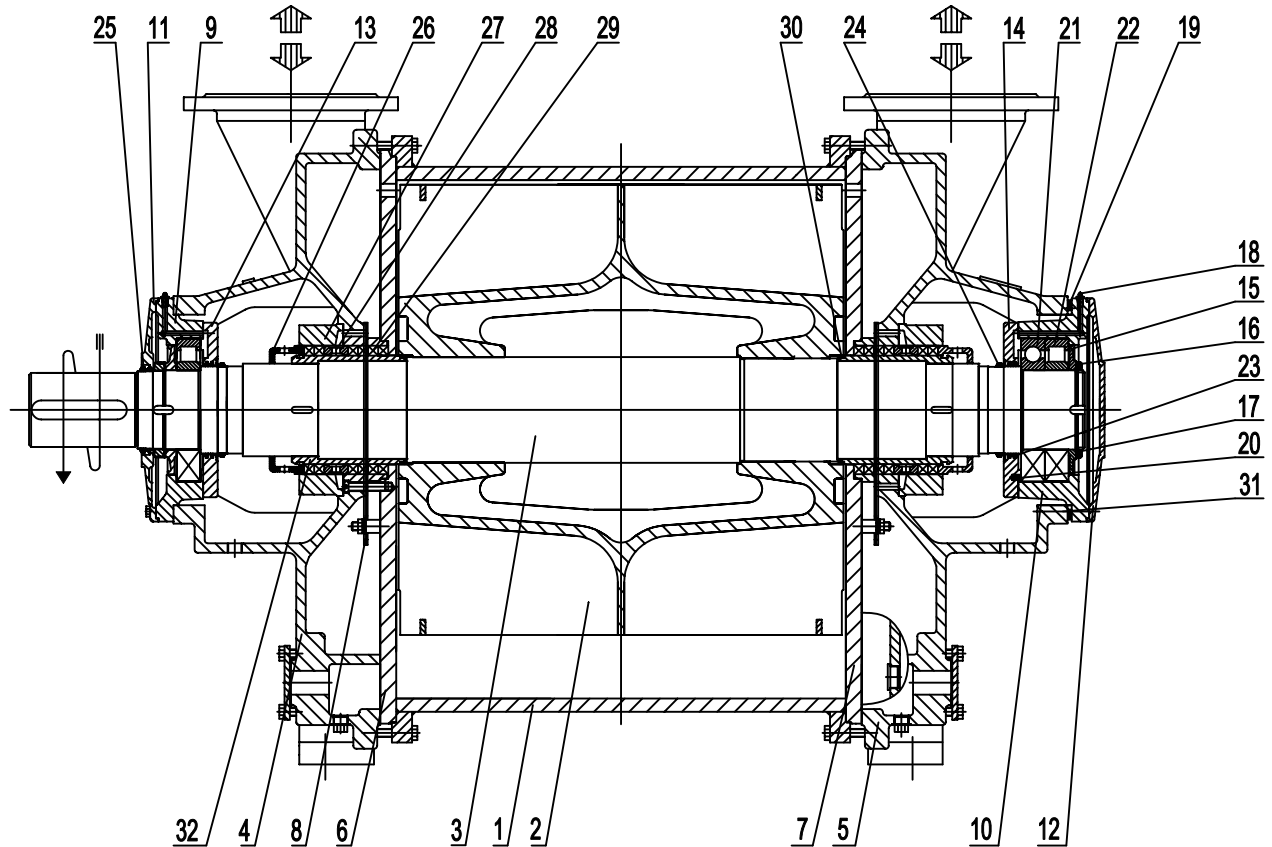


Sectional Drawing with Packing



Part Number	Description	Part Number	Description	Part Number	Description
1	Impeller casing	12	Outer bearing cap, rear bearing	➤ 22	Cylindrical roller bearing
2	Impeller	13	Inner bearing cap, front bearing	➤ 23	Shaft sealing ring
3	Shaft	14	Inner bearing cap, rear bearing	➤ 24	V-Ring
4	Front suction and discharge casing	15	Grease retaining ring	➤ 25	V-Ring
5	Rear suction and discharge casing	16	Lock washer	➤ 26	Packing gland
6	Front port plate	17	Lock nut	27	Stuffing box housing
7	Rear port plate	18	Grease nipple	28	Lantern ring
8	Flexible valve plate	19	Spacer	➤ 29	Packing rings
9	Front bearing housing	20	Compression spring	➤ 30	O-Ring
10	Rear bearing housing	➤ 21	Deep groove ball bearing	31	Screw
11	Outer bearing cap, front bearing			➤ 32	Shaft sleeve

➤ = Recommended spare parts



Premier Fluid Systems
Canadian Home of Travaini Pumps

4161 Morris Dr. - Unit 5 * Burlington * Ontario * L7L 5L5 * Website: www.pfspumps.com
Tel: 1-800-461-2611 or 905-637-2611 * Fax: 905-333-4722 * email: info@pfspumps.com

DATE : MARCH 2002

N°.: 6.50