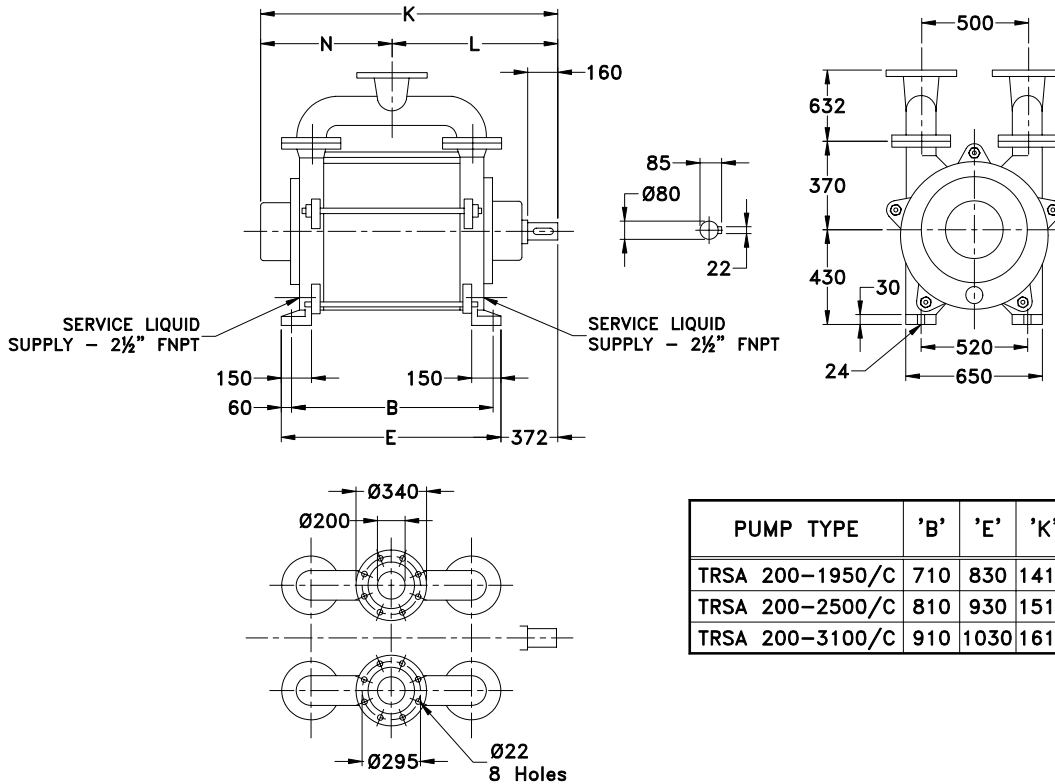
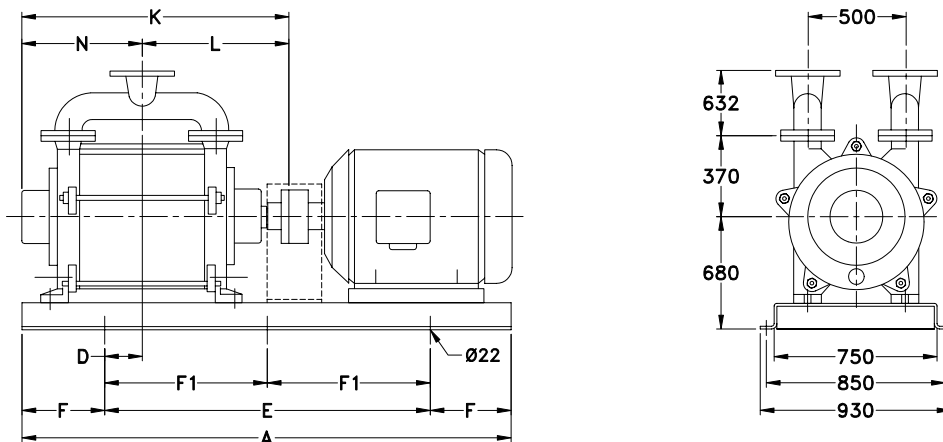


Bareshaft Construction with Mechanical Seal



PUMP TYPE	'B'	'E'	'K'	'L'	'N'	WEIGHT (KG.)
TRSA 200-1950/C	710	830	1410	787	623	1125
TRSA 200-2500/C	810	930	1510	837	673	1225
TRSA 200-3100/C	910	1030	1610	887	723	1325

Base-Mounted Construction (Baseplate-Coupling) with Mechanical Seal



PUMP TYPE	4 POLES MOTOR HP	BASE PLATE	'A'	'D'	'E'	PUMP		'K'	'L'	'N'	WEIGHT ¹ (KG.)				
						'F'	'F1'								
TRSA 200-1950/C	100	60F	2400	350	1800	300	900	1410	787	623	1600				
	125														
TRSA 200-2500/C	125			340								1510	837	673	1700
	150			190											
TRSA 200-3100/C	150			200								1610	887	723	1800
	215			230											

Dimensions in mm



Premier Fluid Systems
 Canadian Home of Travaini Pumps

4161 Morris Dr. - Unit 5 * Burlington * Ontario * L7L 5L5 * Website: www.pfspumps.com
 Tel: 1-800-461-2611 or 905-637-2611 * Fax: 905-333-4722 * email: info@pfspumps.com

DATE : MARCH 2006

No.: 5.30