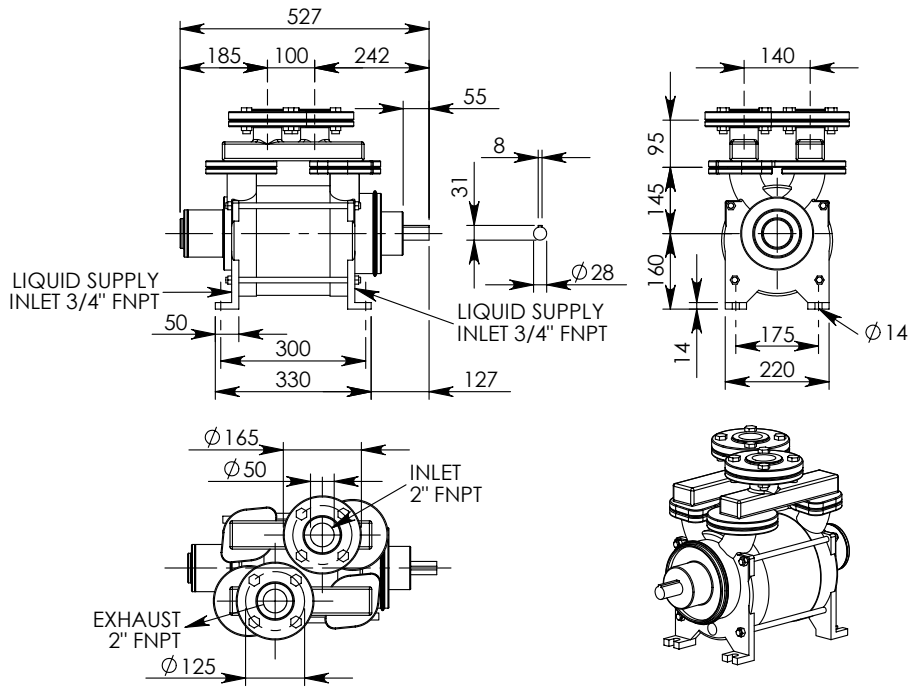
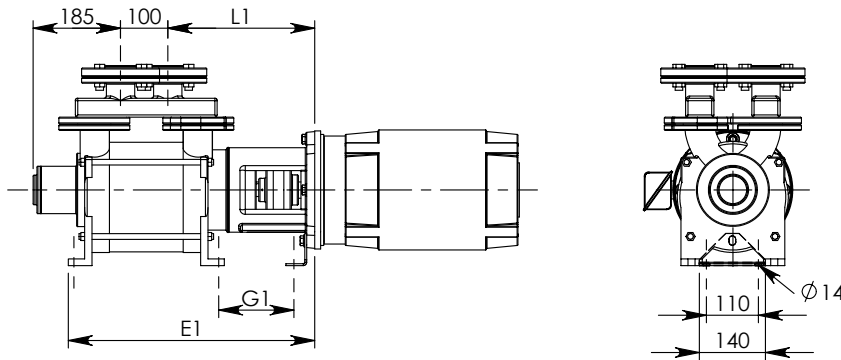


Bareshaft Construction with Mechanical Seal

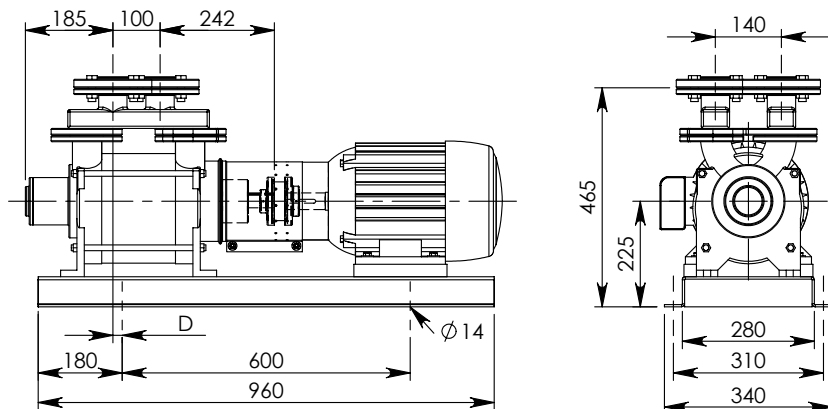


Close-Coupled Construction with Mechanical Seal



4 Poles Motor HP	Pump			Weight ¹ (Kg.)
	E1	G1	L1	
7½	550	197	335	83
10				

Base-Mounted Construction (Baseplate-Coupling) with Mechanical Seal



4 Poles Motor HP	Base Plate	Pump	Weight ¹ (Kg.)
		D	
7½	900	20	109
10			110

¹ Weight without motor

The weights are referred to GH construction

Dimensions in mm



Premier Fluid Systems
Canadian Home of Travaini Pumps

4161 Morris Dr. - Unit 5 * Burlington * Ontario * L7L 5L5 * Website: www.pfspumps.com

Tel: 1-800-461-2611 or 905-637-2611 * Fax: 905-333-4722 * email: info@pfspumps.com

DATE : MARCH 2002

Nº.: 5.14