

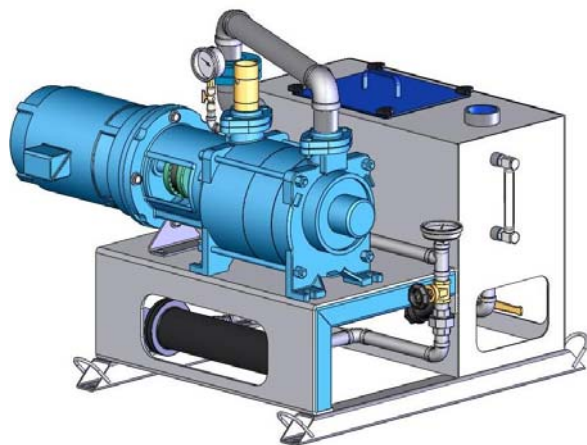
ENGINEERED STANDARD VACUUM SYSTEMS FULL RECOVERY SYSTEMS - TRH

System Model	Nominal Data At 25"Hg & 60Hz		End Vacuum Torr. (mmHgAbs.)	Inlet Pipe Conn.	Pump Model	Weight Approx. Kg.	Optional Accessories	
	Motor HP	ACFM					VRF	Filter
HP2-15H-SFR	2	15	30	1 1/4"	TRH 32-20	84	3/8"	1 1/4"
HP2-30H-SFR	3	33			TRH 32-45	87		
HP2-40H-SFR	5	44			TRH 32-60	93		
HP4-75H-SFR	5	75	25	1 1/2"	TRH 40-110	124	3/4"	1 1/2"
HP4-100H-SFR	7 1/2	100			TRH 40-140	142		
HP4-130H-SFR	10	137			TRH 40-190	176		
HP5-200H-SFR	15	200		2"	TRH 50-280	329		2"
HP5-250H-SFR	20	250			TRH 50-340	364		
HP5-300H-SFR	25	280			TRH 50-420	390		
TRW 400H-SFR	40	420	3"	TRHC 80-600	995	3"		
TRW 500H-SFR	50	500		TRHC 80-750	1110			
TRW 580H-SFR	50	580	30	4"	TRHE 100-870	1400	1 1/4"	4"
TRW 750H-SFR	50	750			TRHE 100-1260	1600		
TRW 900H-SFR	60	980			TRHE 100-1600	1825		

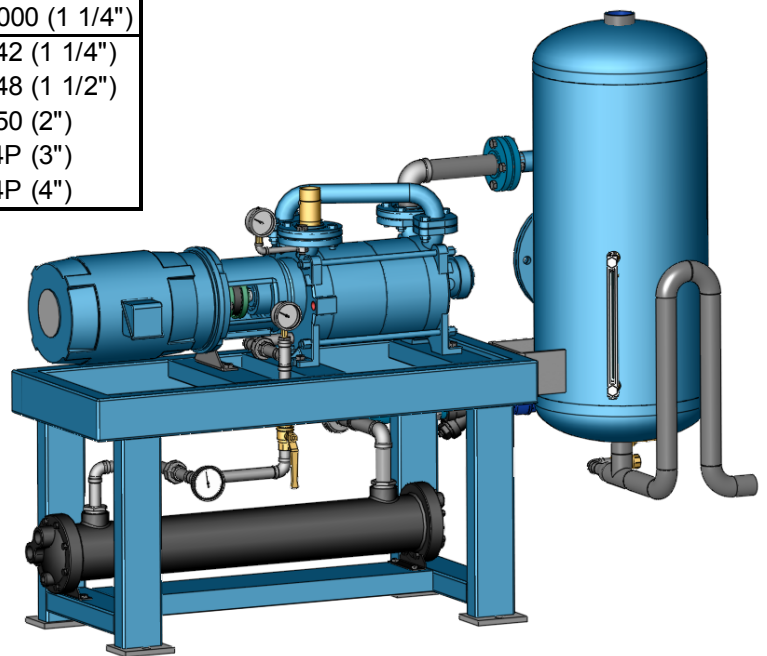
SFR = SIMPLEX FULL RECOVERY OF SERVICE LIQUID

Optional Accessories

Vacuum relief valve, spring loaded (VRF)	P/N VR0-038-AA840A (3/8")
	P/N VR0-034-AA308 (3/4")
	P/N VR0-852125C000 (1 1/4")
Inlet Filter Assembly (Filter)	P/N FIL-125-CSL842 (1 1/4")
	P/N FIL-150-CSL848 (1 1/2")
	P/N FIL-200-CSL850 (2")
	P/N FIL-300-CT234P (3")
	P/N FIL-400-CT234P (4")



HP SYSTEM MODEL



TRW SYSTEM MODEL



Premier Fluid Systems
Canadian Home of Travaini Pumps

4161 Morris Dr. - Unit 5 * Burlington * Ontario * L7L 5L5 * Website: www.pfspumps.com
Tel: 1-800-461-2611 or 905-637-2611 * Fax: 905-333-4722 * email: info@pfspumps.com

DATE : DECEMBER 2006

N°.: 2.10