

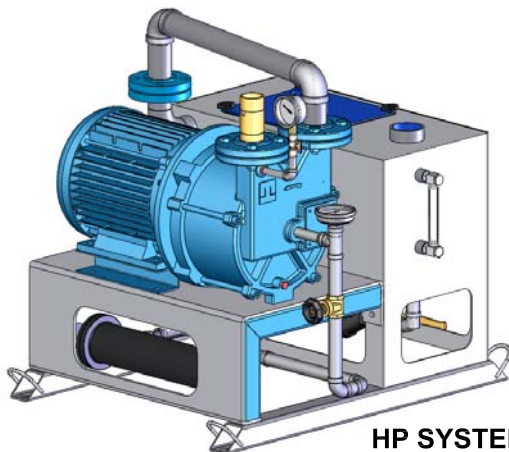
ENGINEERED STANDARD VACUUM SYSTEMS FULL RECOVERY SYSTEMS - TRS/TRM/TRV.

System Model	Nominal Data At 20"Hg & 60Hz		End Vacuum Torr. (mmHgAbs.)	Inlet Pipe Conn.	Pump Model	Weight Approx. Kg.	Optional Accessories		
	Motor HP	ACFM					VRF	Filter	
HP2-20S-SFR	1 1/2	14	100	1 1/4"	TRS 32-20	78	3/8"	1 1/4"	
HP2-20M-SFR		20	30	1"	TRM 25-30	65		1"	
HP2-38S-SFR	3	30	100	1 1/4"	TRS 32-50	83		3/8"	1 1/4"
HP2-40M-SFR		35	25	1"	TRM 32-50	76			1"
HP4-40S-SFR	5	38	100	1 1/2"	TRS 40-55	124	3/4"	1 1/2"	
HP2-50M-SFR		52	25		TRM 32-75	91	3/8"		
HP4-70V-SFR		70	100		TRV 40-110	124	3/4"		
HP4-70S-SFR			25		TRM 40-110	124			
HP4-70M-SFR		96	100		TRS 40-150	176	3/4"		
HP4-100S-SFR	7 1/2	100	TRM 40-150	147					
HP4-100M-SFR		102	25	TRV 40-150	147				
HP4-100V-SFR		145	152	TRM 40-200	152				
HP4-150M-SFR	10	150	120	2"	TRS 50-220	246	2"		
HP5-150S-SFR	15	200	25	2 1/2"	TRV 65-300	454	3"		
HP5-200V-SFR	10	145	25	1 1/2"	TRV 40-200	250	1 1/2"		
HP5-150V-SFR	20	300	25	2 1/2"	TRV 65-450	490	3"		
HP5-300V-SFR	25	350	100	4"	TRSC 100-550	655	1 1/4"	4"	
TRW 400S-SFR	40	480	25		TRSC 100-700	864			
TRW 500S-SFR		575	850		TRVX 1007	850			
TRW 600X-SFR	50	700	150	5"	TRSE 125-1250	1000	5"		
TRW 700S-SFR	60	950	150	5"	TRSE 125-1550	1136	5"		

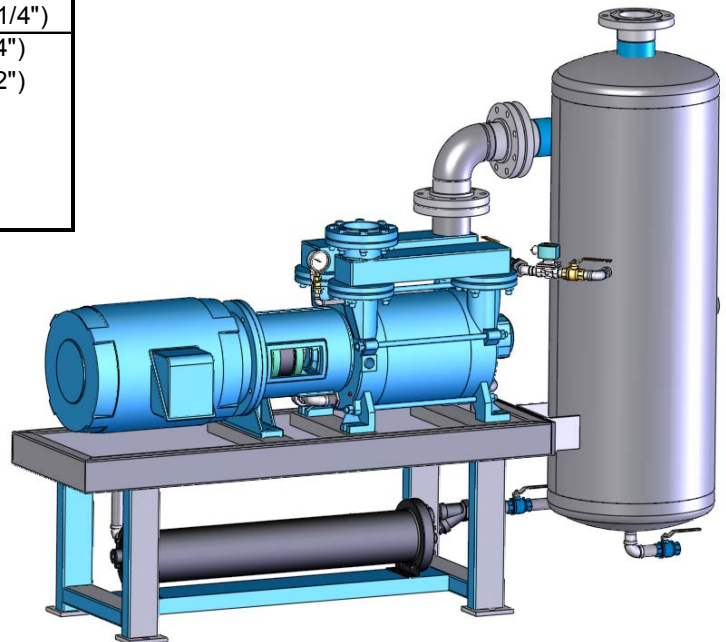
SFR = SIMPLEX FULL RECOVERY OF SERVICE LIQUID

Optional Accessories

Vacuum relief valve, spring load (VRF)	P/N VR0-038-AA840A (3/8")
	P/N VR0-034-AA308 (3/4")
	P/N VR0-852-125C000 (1 1/4")
Inlet Filter Assembly (Filter)	P/N FIL-125-CSL842 (1 1/4")
	P/N FIL-150-CSL848 (1 1/2")
	P/N FIL-200-CSL850 (2")
	P/N FIL-300-CT234P (3")
	P/N FIL-400-CT234P (4")
	P/N FIL-500-CSL344 (5")



HP SYSTEM MODEL



TRW SYSTEM MODEL



Premier Fluid Systems
Canadian Home of Travaini Pumps

4161 Morris Dr. - Unit 5 * Burlington * Ontario * L7L 5L5 * Website: www.pfspumps.com
Tel: 1-800-461-2611 or 905-637-2611 * Fax: 905-333-4722 * email: info@pfspumps.com

DATE : Sept. 2009

N°.: 2.09