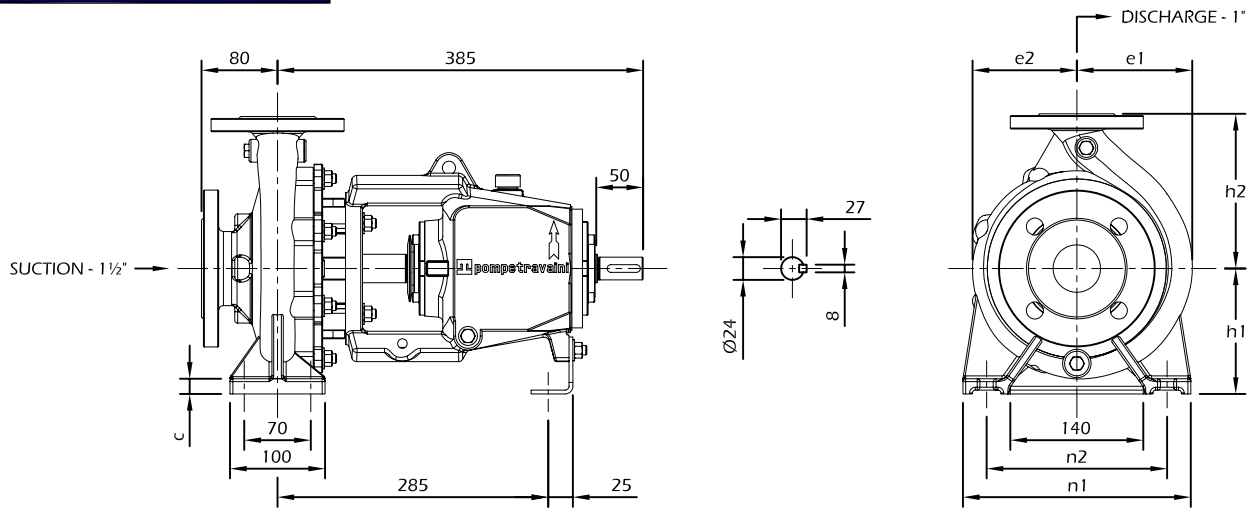
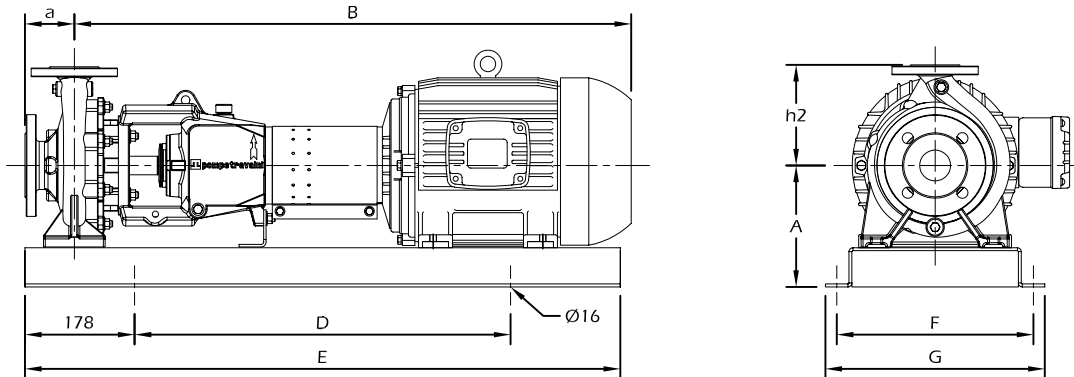


**BARESHAF T CONSTRUCTION**



MODEL	h1	h2	n1	n2	e1	e2	c	WEIGHT (Kg)
TCH 25-125	112	140	190	140	95	90	15	32
TCH 25-160	132	160	240	190	110	108	16	36
TCH 25-200	160	180			133	128		40

**BASE-MOUNTED CONSTRUCTION**



MODEL	MOTOR	HP*	A	B	D	E	F	G	BASE	WEIGHT (Kg)
TCH 25-125	56	1	175	670	406	762	292	330	901	69
	143T	1 1/2		714						73
	145T	2		740						76
TCH 25-160	182T	3	178	778	610	965	318	356	900	87
	56	1	175	670	406	762	292	330	901	73
	143T	1 1/2		714						76
	182T	3	178	778	610	965	318	356	900	91
184T	5	807		100						
TCH 25-200	143T	1 1/2	195	714	178	406	762	292	901	336
	145T	2		740						
	182T	3		778						
	184T	5	806	610	965	318	900	362		
	213T	7 1/2	867							
	215T	10	905							
254T	15	249	965	203	762	1168	394	903	438	

\* Additional sizes available, contact Premier Fluid Systems Inc.

Dimensions in mm



**Premier Fluid Systems**  
Canadian Home of Travaini Pumps

4161 Morris Dr. - Unit 5 \* Burlington \* Ontario \* L7L 5L5 \* Website: [www.pfspumps.com](http://www.pfspumps.com)  
Tel: 1-800-461-2611 or 905-637-2611 \* Fax: 905-333-4722 \* email: [info@pfspumps.com](mailto:info@pfspumps.com)

**DATE : FEBRUARY 2009**

**No.: 15.70**