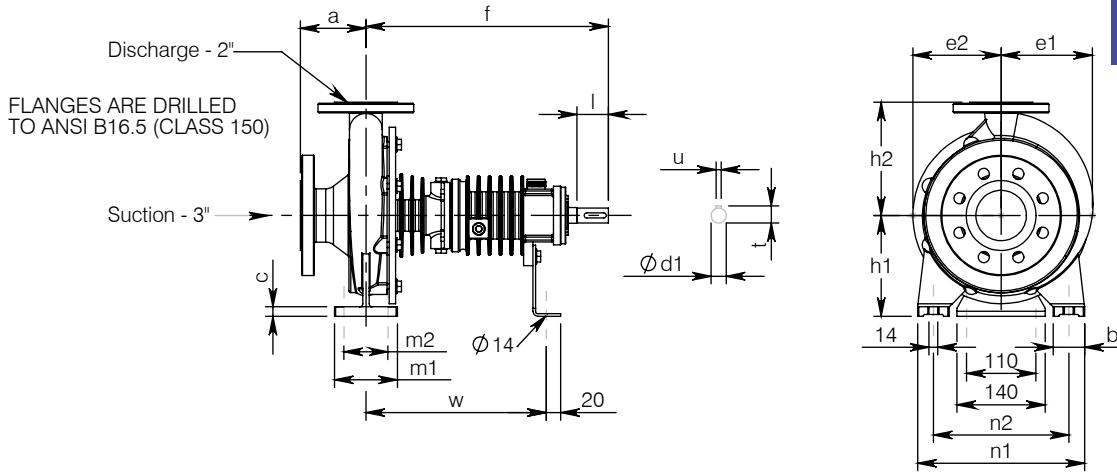


# Bareshaft Construction

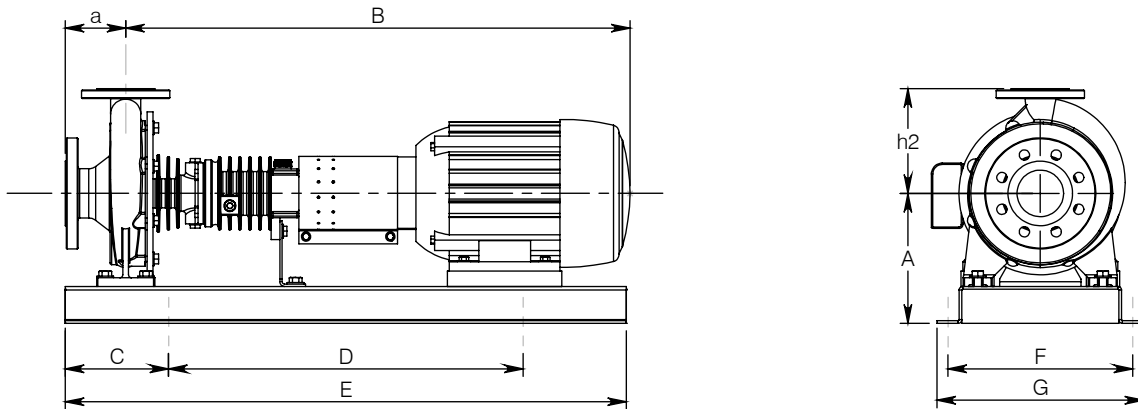
DIMENSIONAL DRAWING  
MONOSTAGE CENTRIFUGAL PUMP  
TRAVAINI PUMP MODEL

**SERIES TCD 50**



Model	a	f	h1	h2	b	c	m1	m2	n1	n2	w	d1	l	t	u	e1	e2	Weight (Kg.)
TCD 50-125	100	385	132	160	50	16	100	70	240	190	285	24	50	27	8	130	110	29
TCD 50-160			160	180					265	212						147	125	35
TCD 50-200			160	200					265	212						161	146	39
TCD 50-250	125	500	180	225	65	18	125	95	320	250	370	32	80	35	10	183	169	66

# Base-Mounted Construction



Pump Model*	Motor Frame	Motor HP*	A	B	C	D	E	F	G	Base Plate	Weight (Kg.)
TCD 50-160	143T	1.5	224	714	178	610	965	318	356	900	94
	145T	2		740							98
	182T	3		778							109
	213T	7.5		867							145
	215T	10	908	154							
	254T	15	965	209							
	256T	20	1008	223							
	284TS	25	1010	231							
TCD 50-200	143T	1.5	224	714	178	610	965	318	356	900	98
	145T	2		740							102
	182T	3		778							113
	184T	5		806							122
	254T	15	965	213							
	256T	20	1008	236							
	284TS	25	1035	272							
286TS	30	1041	299								
TCD 50-250	184T	5	244	924	178	610	965	394	432	908	163
	213T	7.5	270	984	203	762	1168	394	432	903	200
	215T	10		1022							213

\*Additional sizes available, contact Premier Fluid Systems Inc.

Dimensions in mm



**Premier Fluid Systems**  
Canadian Home of Travaini Pumps

4161 Morris Dr. - Unit 5 \* Burlington \* Ontario \* L7L 5L5 \* Website: [www.pfspumps.com](http://www.pfspumps.com)  
Tel: 1-800-461-2611 or 905-637-2611 \* Fax: 905-333-4722 \* email: [info@pfspumps.com](mailto:info@pfspumps.com)

DATE : SEPTEMBER 2008

Nº.: 15.36