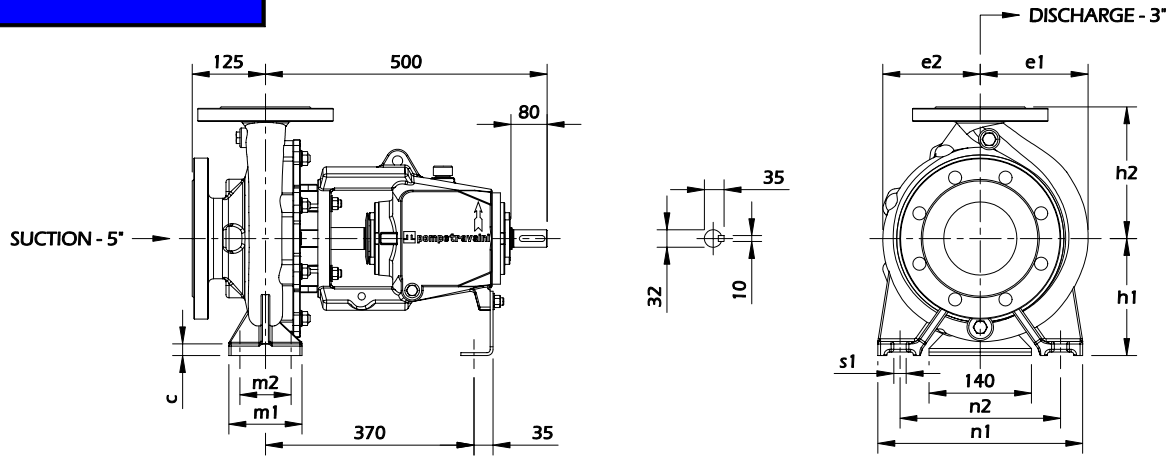


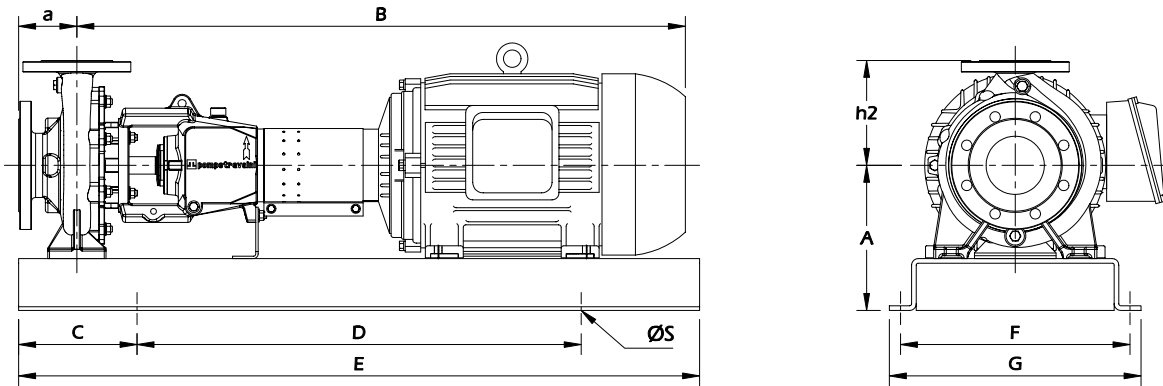
**DIMENSIONAL DRAWING
MONOSTAGE CENTRIFUGAL PUMP
TRAVAINI PUMP MODEL
SERIES TCH 80**

BARESHAF T CONSTRUCTION



MODEL	h1	h2	b	c	m1	m2	n1	n2	s1	e1	e2	WEIGHT (Kg)
TCH 80-160	180	225	65	16	125	95	320	250	14	186	142	78
TCH 80-200		250		18			345	280		188	158	93
TCH 80-250	225	280	80	20	160	120	400	315	18	225	185	108

BASE-MOUNTED CONSTRUCTION



MODEL	MOTOR	HP*	A	B	C	D	E	F	G	S	BASE	WEIGHT (Kg)
TCH 80-160	184T	5	269	925	203	762	1168	394	432	16	903	170
	213T	7½		980								197
	286TS	30	282	1200	152	889	1194	470	508		907	326
	324TS	40	340	1243	229		1346	483	533		41F	417
	326TS	50		1281			1346	483	533			447
364TS	60	365	1339	305	1041	1651	686	737	40F	567		
TCH 80-200	213T	7½	269	980	203	762	1168	394	432	16	903	212
	215T	10		1018								222
	254T	15	282	1115	152	889	1194	470	508		907	270
	326TS	50	340	1281	229		1346	483	533		41F	462
	364TS	60	365	1339	203		1391	1797	571		622	42F
	365TS	75				628						
405TS	100	391	1432	305	1041	1651	686	737	40F	734		
TCH 80-250	254T	15	327	1115	152	889	1194	470	508	16	907	285
	256T	20	362	1159	229		1346	483	533	19	41F	332
	284T	25	1200	1346							483	533
	405TS	100	391	1432	305	1041	1651	686	737		40F	749
	444TS	125	416	1558								919
445TS	150	1564	1054									

* Additional sizes available, contact Premier Fluid Systems Inc.

Dimensions in mm



Premier Fluid Systems
Canadian Home of Travaini Pumps

4460 Harvester Road • Burlington • Ontario • L7L 4X2 • Website: www.pfspumps.com
Tel: 1-800-461-2611 or 905-637-2611 • Fax: 905-333-4722 • e-mail: info@pfspumps.com

DATE : DECEMBER 2006

No.: 15.118