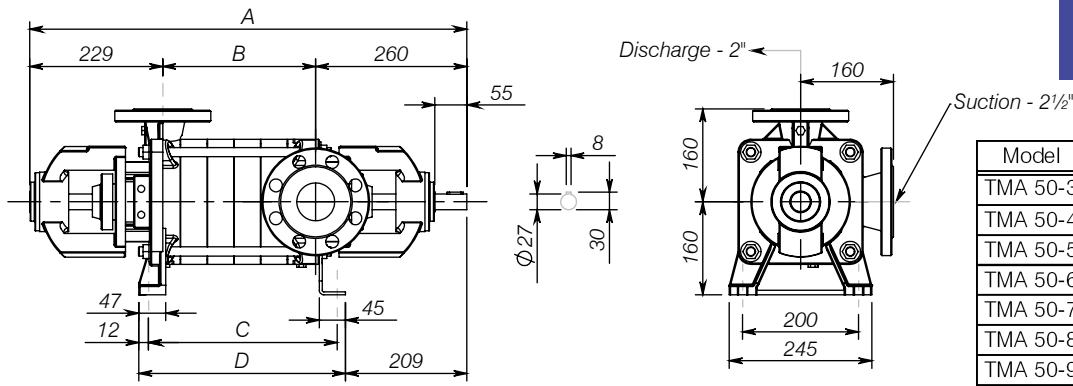


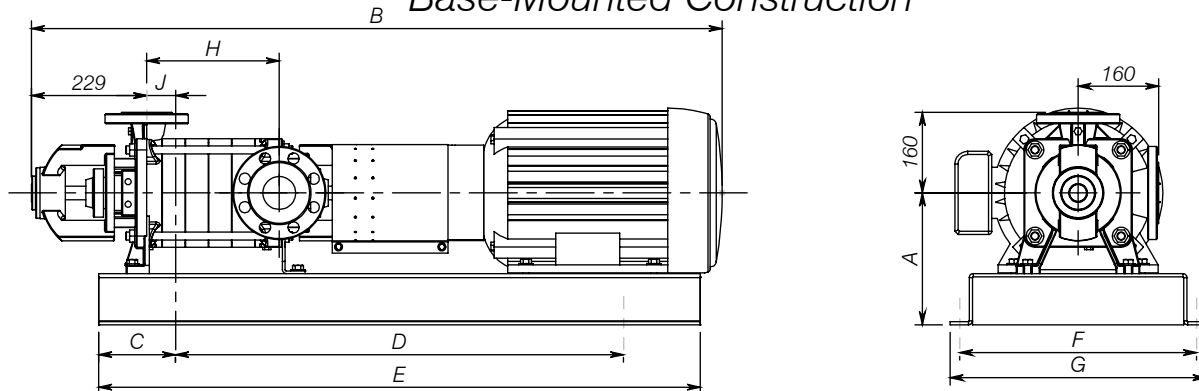
**SERIES TMA 50**

**Bareshaft Construction**



Model	A	B	C	D	Weight
TMA 50-3	660	171	231	263	54
TMA 50-4	706	217	277	309	62
TMA 50-5	752	263	323	355	70
TMA 50-6	798	309	369	401	78
TMA 50-7	844	355	415	447	86
TMA 50-8	890	401	461	493	94
TMA 50-9	936	447	507	539	102

**Base-Mounted Construction**



PUMP MODEL	MOTOR FRAME	A	B	C	D	E	F	G	H	J	BASE PLATE	WEIGHT (Kg.)							
TMA 50-3	182T	222	1054	178	610	965	318	356	171	-25	900	132							
	184T		1080							-13		141							
	284TS	279	1276							152	889	1194	470	508	0	907	293		
	286TS		1318												-25		318		
TMA 50-4	184T	222	1127	178	610	965	318	356		217	25	900	150						
	213T		1191								76		177						
	286TS	279	1362								152	889	1194	470	508	0	907	327	
	324TS		1388													51		395	
TMA 50-5	184T	222	1172	178	610	965	318	356	263		64	900	156						
	213T		1235								-25		903	204					
	324TS	305	1435								152	889	1194	470	508	44	907	404	
	326TS		1480													83		431	
	364TS	330	1575							965	1270	54	909	531					
TMA 50-6	213T	248	1283	203	762	1168	394	432		309	0	903	213						
	215T		1321								38		222						
	364TS	330	1623								1118	1524	559	610	610	0	912	490	
	365TS		1654													0		531	
TMA 50-7	213T	248	1327		762	1168	394	432			355	355	51	903	218				
	215T		1365						76				231						
	364TS	330	1667						1118				1524	559	610	610	0	912	540
	365TS		1699														0		581
TMA 50-8	215T	248	1413		229	940	1397	394	432	401			114	903	236				
	254T	260	1470										0		906	277			
	364TS	330	1715	203									1118	1524		559	610	25	912
	365TS		1743												102			703	
	405TS	356	1838	0							596								
TMA 50-9	365TS	330	1758	203	1118	1524	559	610	447		0	912	596						
	405TS	356	1912										0	709					

Flanges are R.F. drilled for 300 lbs. ANSI mating flanges  
Dimensions in mm



**Premier Fluid Systems**  
Canadian Home of Travaini Pumps

4161 Morris Dr. - Unit 5 \* Burlington \* Ontario \* L7L 5L5 \* Website: [www.pfspumps.com](http://www.pfspumps.com)  
Tel: 1-800-461-2611 or 905-637-2611 \* Fax: 905-333-4722 \* email: [info@pfspumps.com](mailto:info@pfspumps.com)

DATE : JUNE 2010

Nº.: 14.16