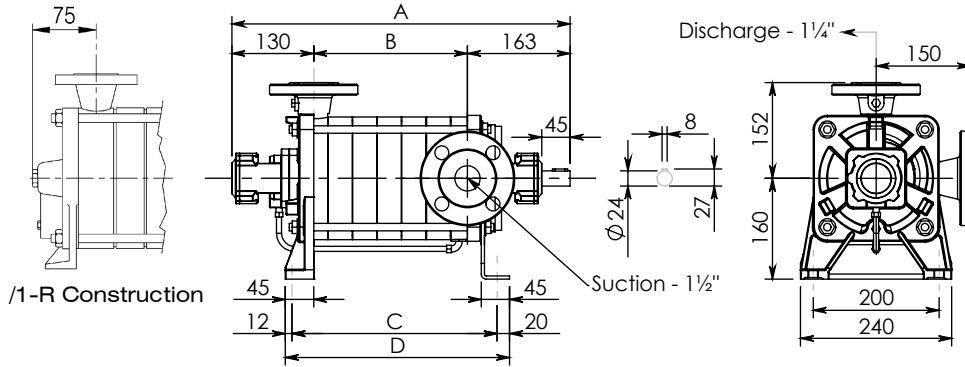


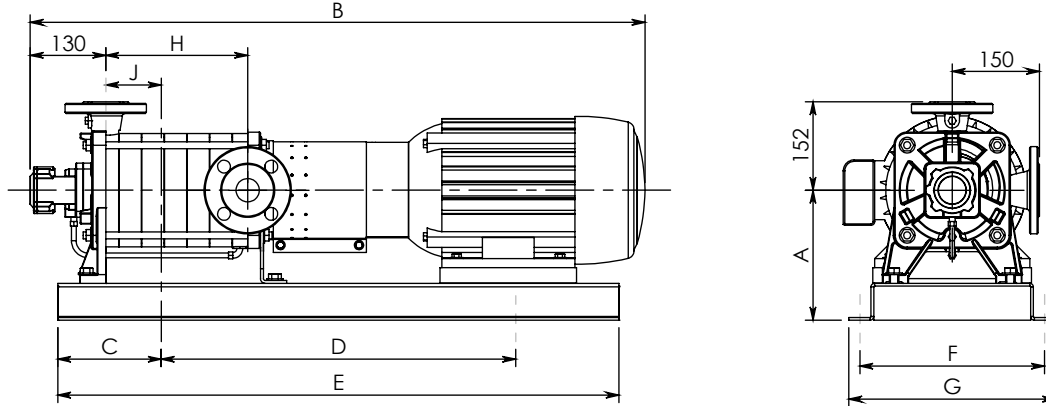
SERIES TMA 31

Bareshaft Construction



Model	A	B	C	D	Weight (Kg.)
TMA 31-3	420	127	207	239	35
TMA 31-4	459	166	246	278	40
TMA 31-5	498	205	285	317	45
TMA 31-6	537	244	324	356	50
TMA 31-7	576	283	363	395	55
TMA 31-8	615	322	402	434	60
TMA 31-9	654	361	441	473	65

Base-Mounted Construction



PUMP MODEL	MOTOR FRAME	A	B	C	D	E	F	G	H	J	BASE PLATE	WEIGHT (Kg.)
31-3	143T	224	743	178	406	762	292	330	127	19	901	95
	184T		838							95		118
	213T		902							19		150
31-4	143T	224	781	178	406	762	292	330	166	70	901	100
	145T		806							95		104
	213T		940							19		156
	215T		978							19		166
31-5	143T	224	819	178	406	762	292	330	205	95	901	104
	145T		845							105		109
	215T		1016							44		170
31-6	145T	224	886	178	610	965	318	356	244	19	900	118
	215T		1057							95		175
	254T		249							1115		203
31-7	145T	224	924	178	610	965	318	356	283	19	900	122
	254T	249	1153	203	762	1168	394	432		44	903	231
31-8	145T	224	962	178	610	965	318	356	322	19	900	127
	182T		1007							70		138
	254T	249	1191	203	762	1168	394	432		44	903	238
	256T		1238							95		259
31-9	145T	224	1000	178	610	965	318	356	361	70	900	132
	182T		1044							95		145
	254T	249	1232	203	762	1168	394	432		95	903	245
	256T		1276							127		263

Flanges are R.F. drilled for 300 lbs ANSI mating flanges

Dimension in mm



Premier Fluid Systems
Canadian Home of Travaini Pumps

4161 Morris Dr. - Unit 5 * Burlington * Ontario * L7L 5L5 * Website: www.pfspumps.com
Tel: 1-800-461-2611 or 905-637-2611 * Fax: 905-333-4722 * email: info@pfspumps.com

DATE : JUNE 2010

Nº.: 14.4