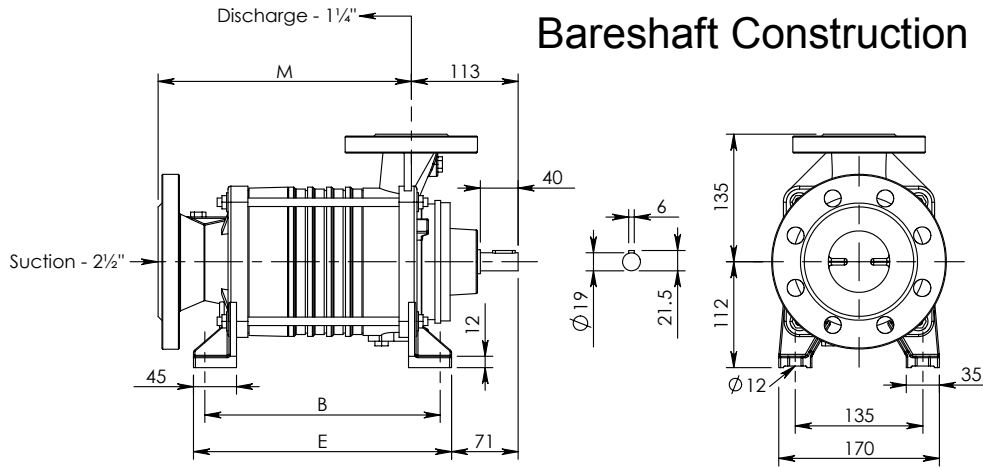


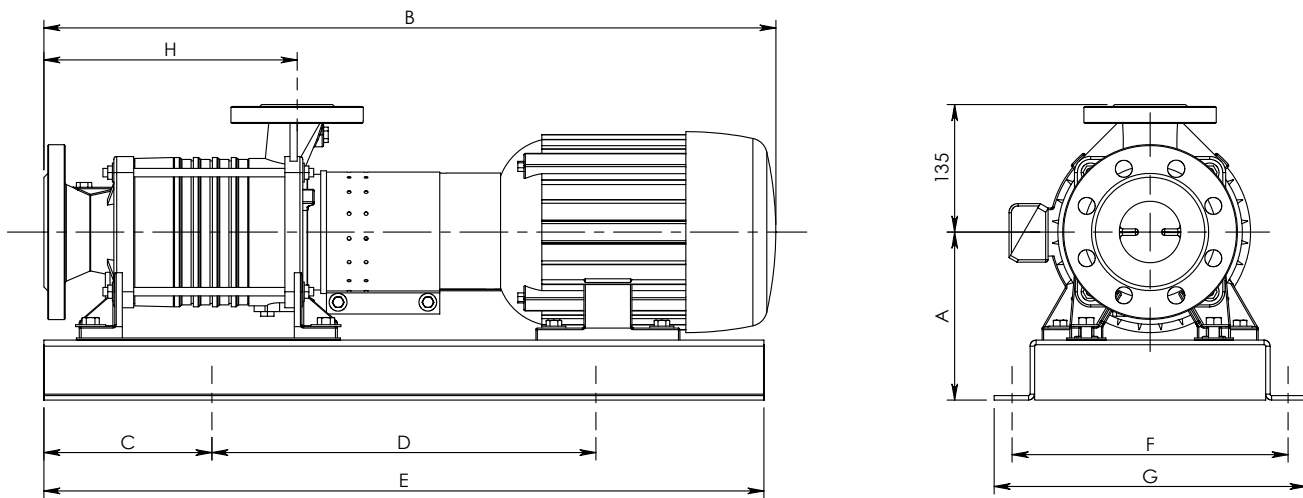
TBA 301 to 306

Bareshaft Construction



Model	M	B	E	Weight Kg
TBA 301	228	209	233	24
TBA 302	268	249	273	27.5
TBA 303	308	289	313	31
TBA 304	348	329	353	34.5
TBA 305	388	369	393	38
TBA 306	428	409	433	41.5

Base-Mounted Construction



Pump Model	Motor HP	A	B	C	D	E	F	G	H	Base Plate	Weight (Kg.)
TBA 301	1 1/2	164	667	127	356	610	241	280	228	902	64
	2		692								68
	3	733	86								
TBA 302	3	178	775	178	406	762	292	330	268	901	91
	5		800								100
	7 1/2	864	136								
TBA 303	3	178	813	178	406	762	292	330	308	901	95
	5		838								104
	7 1/2	902	141								
TBA 304	5	178	883	178	610	965	318	356	348	900	113
	7 1/2		946								141
	10	991	150								
TBA 305	5	178	921	178	610	965	318	356	388	900	118
	7 1/2		984								145
	10	1029	154								
TBA 306	15	248	1092	203	762	1168	394	432	903	903	186
	7 1/2		1022								150
	10	1067	159								
TBA 306	15	248	1130	203	762	1168	394	432	428	900	150
	10		1067								159

Flanges are R.F. drilled for 300 lbs ANSI mating flanges

Dimensions in mm



Premier Fluid Systems
Canadian Home of Travaini Pumps

4161 Morris Dr. - Unit 5 * Burlington * Ontario * L7L 5L5 * Website: www.pfspumps.com
Tel: 1-800-461-2611 or 905-637-2611 * Fax: 905-333-4722 * email: info@pfspumps.com

DATE : MARCH 2002

N°.: 13.6