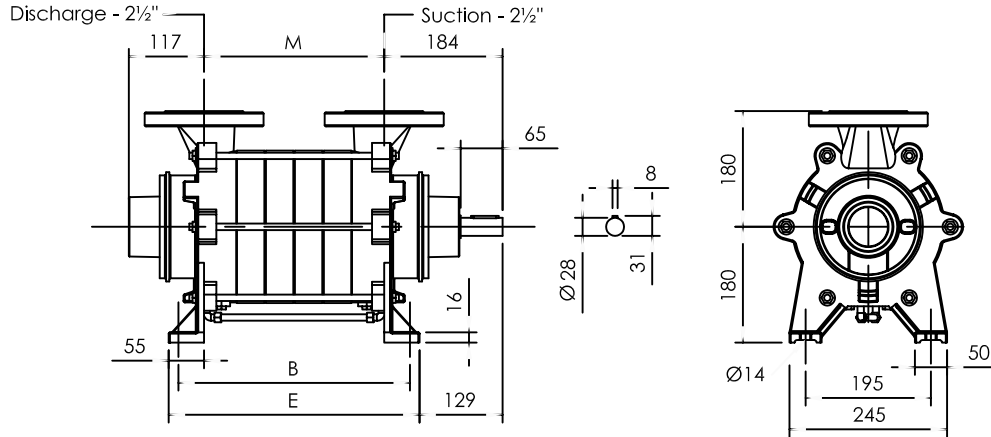
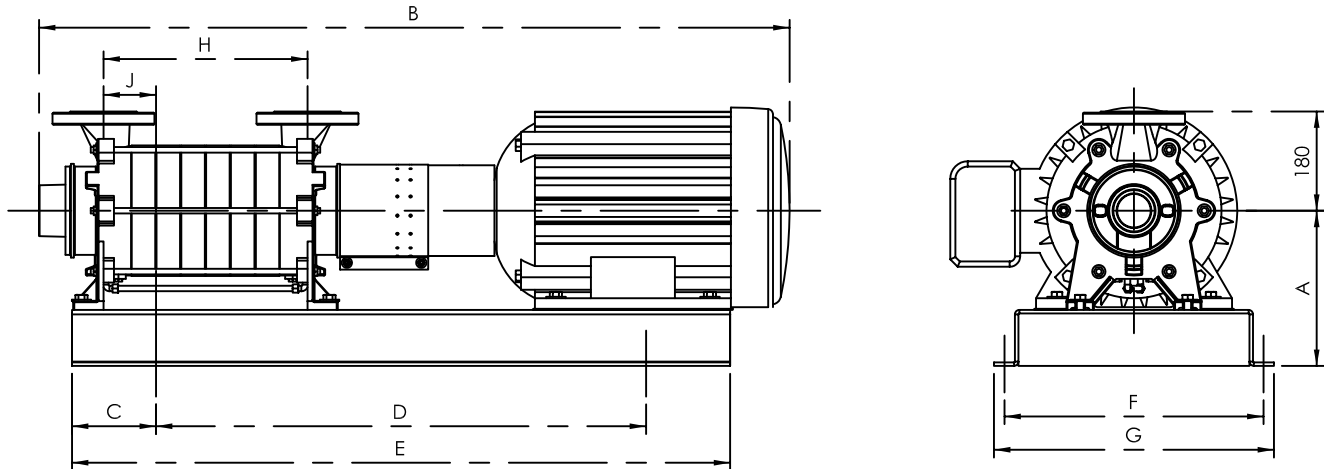


Bareshaft Construction



Model	M	B	E	Weight Kg
TBH 651	190	270	300	52
TBH 652	280	360	390	67
TBH 653	370	450	480	82
TBH 654	460	540	570	97
TBH 655	550	630	660	112
TBH 656	640	720	750	127

Base-Mounted Construction



PUMP MODEL	MOTOR HP	A	B	C	D	E	F	G	H	J	BASE PLATE	WEIGHT (Kg.)	
651	10	245	1013	178	610	965	318	356	191	60	900	168	
	15		1073									222	
	20		1121									245	
652	15	270	1162	203	762	1168	394	432	279	86	903	236	
	20		1210									259	
	25		1241									299	
653	30	283	1203	152	889	1194	470	508	370	70	907	327	
	25		1333									313	
	30		1372									340	
	40		1400									408	
654	50	305	1448	229	1067	1524	495	533	460	111	911	440	
	30		283									1461	367
	40		305									1489	435
	50		305									1540	463
655	60	330	1661	229	1067	1524	495	533	460	111	911	544	
	30		283									1549	381
	40		305									1578	449
	50		305									1629	476
	60	330	1749							137		558	

Flanges are R.F. drilled for 300 lbs ANSI mating flanges

Dimensions in mm



Premier Fluid Systems
 Canadian Home of Travaini Pumps

4161 Morris Dr. - Unit 5 * Burlington * Ontario * L7L 5L5 * Website: www.pfspumps.com
 Tel: 1-800-461-2611 or 905-637-2611 * Fax: 905-333-4722 * email: info@pfspumps.com

DATE : MARCH 2002

N°.: 12.21