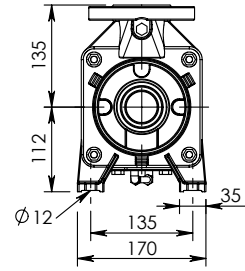
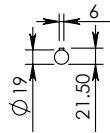
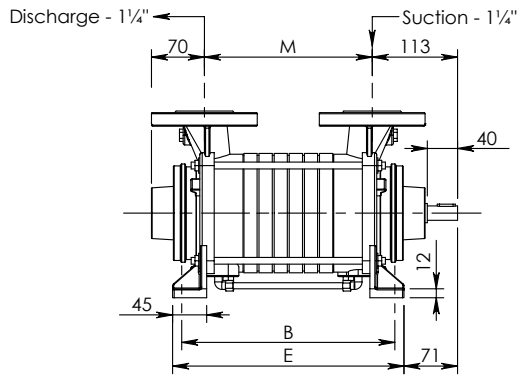


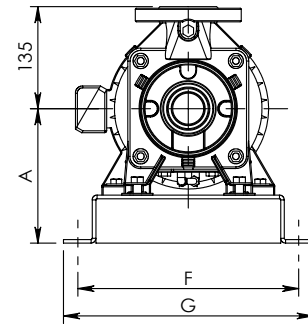
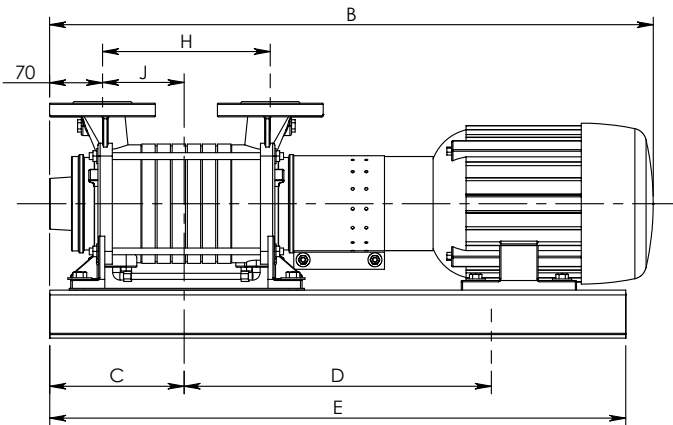
TBH 311 to 316

Bareshaft Construction



Model	M	B	E	Weight Kg
TBH 311	144	204	228	22.5
TBH 312	184	244	268	26
TBH 313	224	284	308	29.5
TBH 314	264	324	348	33
TBH 315	304	364	388	36.5
TBH 316	344	404	428	40

Base-Mounted Construction



PUMP MODEL	MOTOR HP	A	B	C	D	E	F	G	H	J	BASE PLATE	WEIGHT (Kg.)
TBH 311	1 1/2	162	676	127	356	610	241	279	143	57	902	68
	2											
	3											
TBH 312	2	162	718	127	356	610	241	279	184	83	902	73
	3											
	5											
TBH 313	3	178	800	178	406	762	292	330	225	108	901	95
	5											
	7 1/2											
	10											
TBH 314	5	178	867	178	406	762	292	330	264	133	901	109
	7 1/2											
	10											
TBH 315	5	178	908	203	610	965	318	356	305	108	900	118
	7 1/2											
	10											
	15											
TBH 316	7 1/2	197	1010	178	610	965	318	356	343	108	900	150
	10											
	15											

Flanges are R.F. drilled for 300 lbs ANSI mating flanges

Dimensions in mm



Premier Fluid Systems
 Canadian Home of Travaini Pumps

4161 Morris Dr. - Unit 5 * Burlington * Ontario * L7L 5L5 * Website: www.pfspumps.com
 Tel: 1-800-461-2611 or 905-637-2611 * Fax: 905-333-4722 * email: info@pfspumps.com

DATE : MARCH 2002

N°.: 12.12