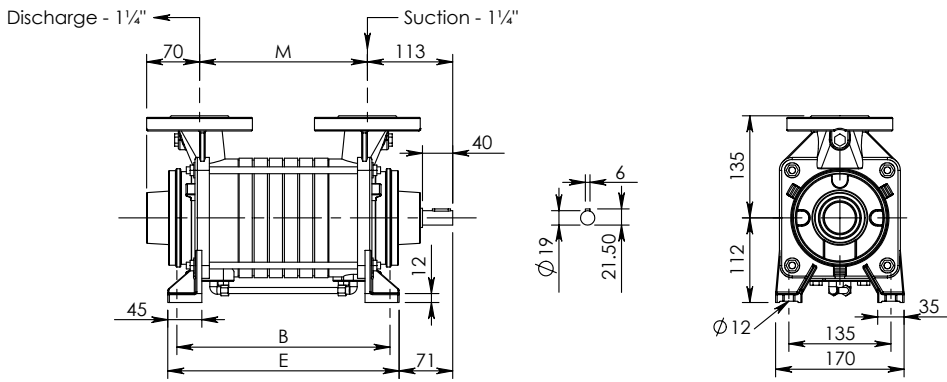


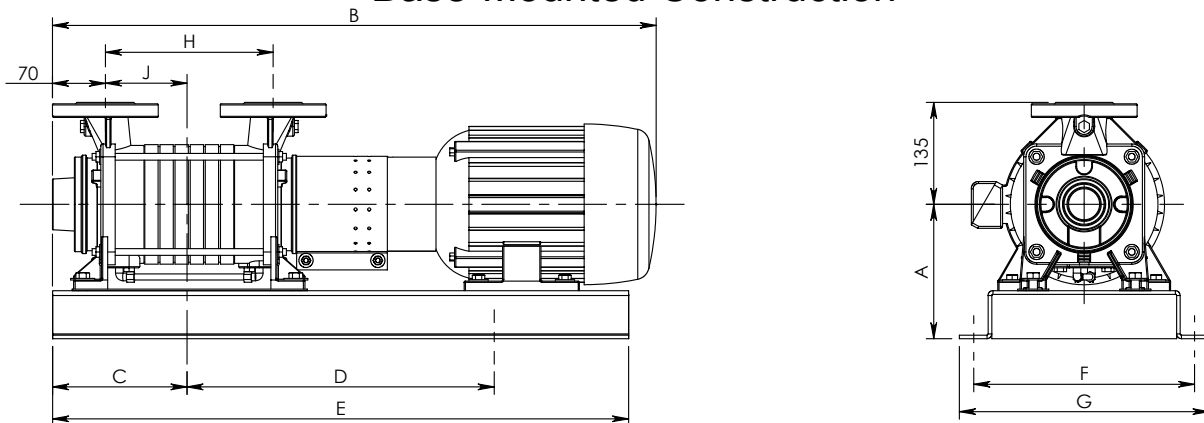
Bareshaft Construction

TBH 291 to 296



Model	M	B	E	Weight Kg
TBH 291	144	204	228	22.5
TBH 292	184	244	268	26
TBH 293	224	284	308	29.5
TBH 294	264	324	348	33
TBH 295	304	364	388	36.5
TBH 296	344	404	428	40

Base-Mounted Construction



PUMP MODEL	MOTOR HP	A	B	C	D	E	F	G	H	J	BASE PLATE	WEIGHT (Kg.)
TBH 291	1 1/2	162	676	127	356	610	241	279	143	57	902	68
	2										901	86
	3										108	901
TBH 292	2	162	718	127	356	610	241	279	184	83	902	73
	3										901	91
	5										901	100
TBH 293	3	178	800	178	406	762	292	330	225	108	901	95
	5										901	104
	7 1/2										900	136
TBH 294	10	197	927	178	610	965	318	356	264	108	900	150
	5										901	109
	7 1/2										901	141
TBH 295	10	178	908	203	406	762	292	330	305	108	900	118
	7 1/2										900	145
	10										900	159
TBH 296	15	197	1010	178	610	965	318	356	343	108	900	209
	10										900	163
	15										903	213

Flanges are R.F. drilled for 300 lbs ANSI mating flanges

Dimensions in mm



Premier Fluid Systems
Canadian Home of Travaini Pumps

4161 Morris Dr. - Unit 5 * Burlington * Ontario * L7L 5L5 * Website: www.pfspumps.com
Tel: 1-800-461-2611 or 905-637-2611 * Fax: 905-333-4722 * email: info@pfspumps.com

DATE : MARCH 2002

Nº.: 12.6